

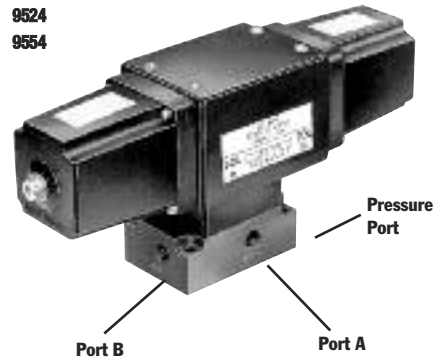
# VALVES

## Remote Mounted

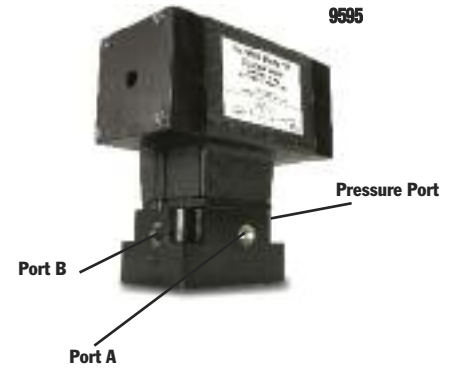
10,000 psi.,

1/4" ports 5 gpm max flow

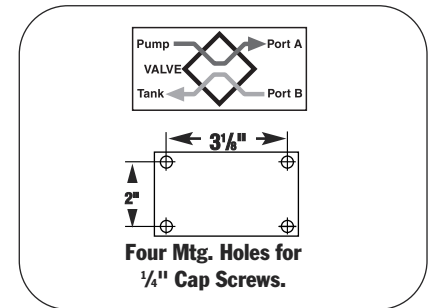
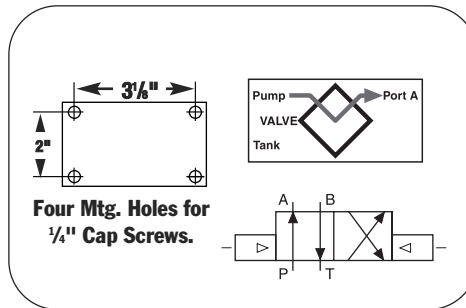
9593  
9524  
9554



9595



### 3/4-WAY/2-POSITION SOLENOID AND AIR ACTUATED VALVES



#### Application: Single- or double-acting cylinders.

**Actuation:** 9593, 9524 and 9554 are solenoid operated, 9595 is air operated.

**Operation with single-acting cylinder:** Either oil port "A" or "B" must be plugged on valve. With port "B" plugged, solenoid is energized to position "A," oil port "A" becomes pressurized. When solenoid is energized to position "B," oil port "A" becomes the return port.

**Operation with multiple single-acting cylinders:** A pressure line from one bank can be connected to oil port "A" and the other to oil port "B" on the valve. Sequence: When energized to position "A," oil port "A" becomes pressurized and clamps the fixture connected to oil port "A"; oil port "B" becomes a "return" port for cylinder connected to oil port "B," and retracts it. The opposite happens when solenoid "B" is energized.

**Operation with double-acting cylinder:** Port "A" is connected to "advance" port of cylinder, oil port "B" connects to cylinder "return" port. Solenoid is energized to position "A," oil port "A" becomes pressurized to extend cylinder piston. The opposite happens when solenoid "B" is energized. Valve does not hold in "retract" position.

NOTE: When using more than one valve on a pump, the tank port may require a check valve to permit inadvertent, momentary extension of a retracted cylinder.

NOTE: If pump is equipped with an internal outlet check, a "hold" position can be maintained with the pump shut off.

**No. 9593** – 3/4-way/2-position, remote mounted solenoid valve, 115 volt, 50/60 Hz. Wt., 15.4 lbs.

**No. 9524** – Same as 9593 except with 230 volt, 50/60 Hz.

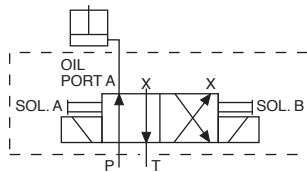
**No. 9554** – Same as 9593 except with 24 volt, 50/60 Hz.

**No. 9595** – Same as 9593 except is air operated (minimum of 50 psi air pressure required). Wt., 11.4 lbs.

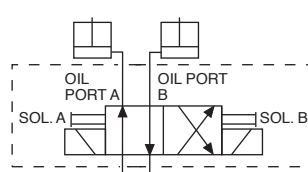
NOTE: Valves above are shipped without controls. The 9524, 9554 and 9593 can be used with the 304718 remote hand control (see page 130). The 9595 can be used with the 209593 remote hand control (see page 130).

NOTE: Valves have 1/4" NPTF ports. 3/8" to 1/4" adapters are included.

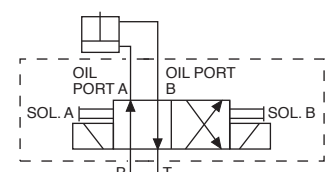
NOTE: Maximum tank line pressure for remote mounted valves is 500 psi.



1. To actuate one single-acting cylinder.



2. To actuate two single-acting cylinders.



3. To actuate one double-acting cylinder.

NOTE: Valves above are shipped without control switch. Use 202777 remote hand switch (see page 130).

**CAUTION:** To prevent sudden, uncontrolled descent of a load as it is being lowered, use a No. 9596 Load Lowering Valve or No. 9720 Counter Balance Valve (see page 118) in conjunction with the directional valve used in your application.

ACCESSORIES

