

## Parts List and

## Operating Instructions for:

	PH63C
	PH83C
PH6	PH113C
PH8	PH303C
PH11	HST11
PH30	HST11S

## HYDRA-GRIP-O-MATIC® PULLER AND STRAIGHTENER TOOL

Max. Capacity: 6 Ton (PH6 & PH63C); 8 Ton (PH8 & PH83C); 11 Ton (PH11, PH113C, & HST11);  
30 Ton (PH30 & PH303C)

### NOTE:

- These instructions must be read and carefully followed.
- Carefully inspect the puller and/or straightener tool upon arrival. The carrier, not the manufacturer, is responsible for any damage resulting from shipment.



## SAFETY PRECAUTIONS

**WARNING:** To help prevent personal injury,

- These pullers and the straightener tool should be used only by trained personnel familiar with them.
- Safety glasses must be worn at all times by the operator and anyone within sight of the puller and straightener tool.
- Select the proper size and capacity of puller for the job.
- Align the puller on the same centerline as the part being removed. Failure to align parts correctly can result in a dangerous operating situation because of the high hydraulic pressures used.
- Wrap the work in a Power Team protective blanket before applying pressure to provide protection from injury caused by flying parts should a part ever break.
- Always apply force gradually.

**IMPORTANT:** DO NOT USE HEAT, HAMMERS, OR IMPACT TOOLS ON THESE PULLERS.  
THIS WILL CAUSE DAMAGE THAT VOIDS THE PULLER WARRANTY.

## PULLER SETUP AND OPERATION

**NOTE:** These pullers have a 2/3-way combination puller head. The 3-jaw combination is strongly recommended whenever the job space allows for it. Three jaws give a more secure grip and more even pulling force.

1. Select the proper size and capacity of puller needed for the job. This is determined by measuring "reach" and "spread" of the part to be pulled.
2. Place the handle assembly into the handle clevis.  
See Figure 1.

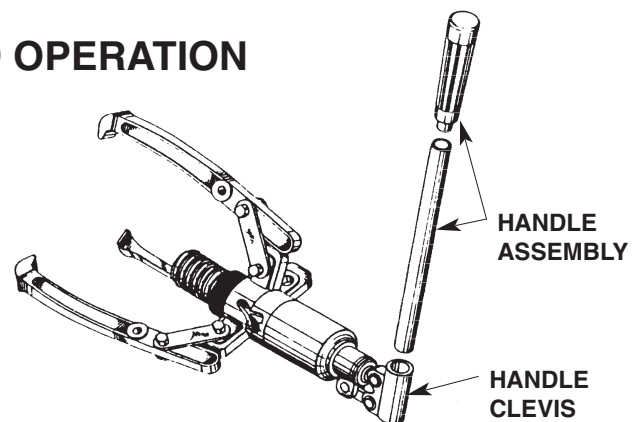


Figure 1

## PULLER SETUP AND OPERATION (CONTINUED)

- Turn the control valve knob completely in a clockwise direction to advance the piston. See Figure 2.

**IMPORTANT:** Position the control valve knob so it does not contact the puller head and can be turned freely.



CONTROL VALVE KNOB

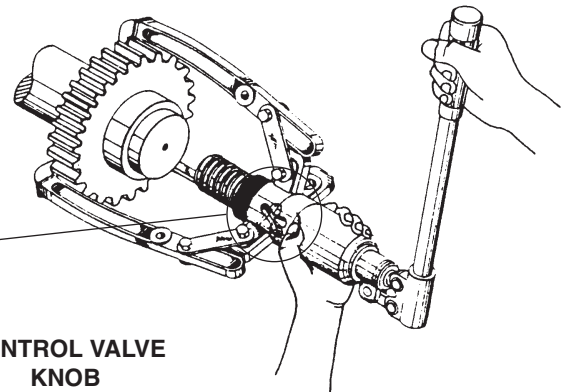


Figure 2

- Begin positioning the puller and puller jaws around the part to be pulled, removing most of the slack by threading the adjusting locknut further onto the puller body or adjusting the puller straps on the jaws. Pump the handle to advance the piston, stopping just as the removable cone reaches the part. Make final puller positioning adjustments with the adjusting locknut or the piston. The puller must be on the same centerline as the part to be pulled and the jaws fully engaged and secure. See Figure 3.



**WARNING:** The adjusting locknut must be fully engaged with the threads of the puller body as shown below on all 6, 8,&11 ton pullers. On 30 ton puller, full thread engagement minimum crosshead required.

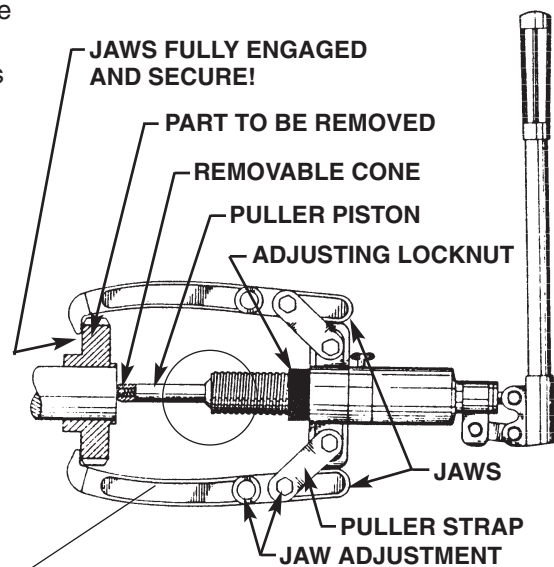
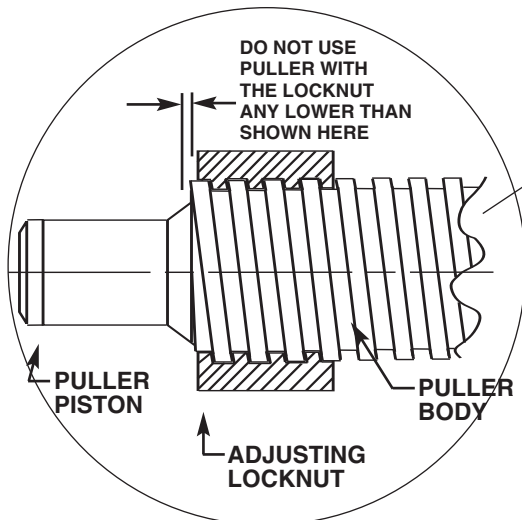


Figure 3



- The handle assembly rotates a full 360° to allow the best handle location for the job. See Figure 4.

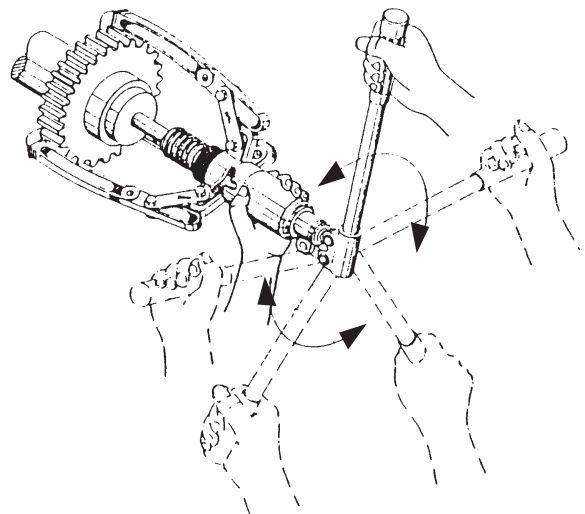


Figure 4

**PULLER SETUP AND OPERATION (CONTINUED)**

6. Hold the puller with one hand and pump the handle with your other hand, advancing the piston until the part is removed. See Figures 5 & 6.

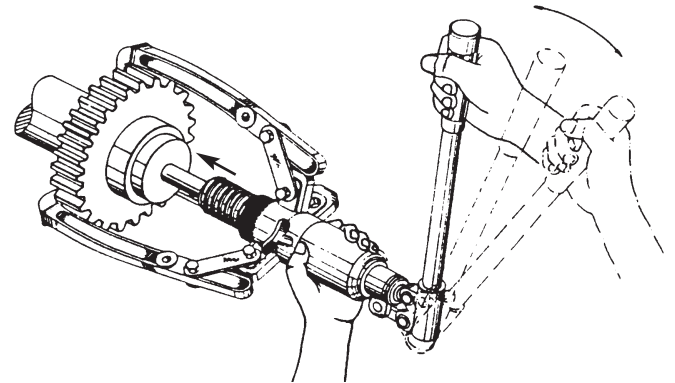


Figure 5

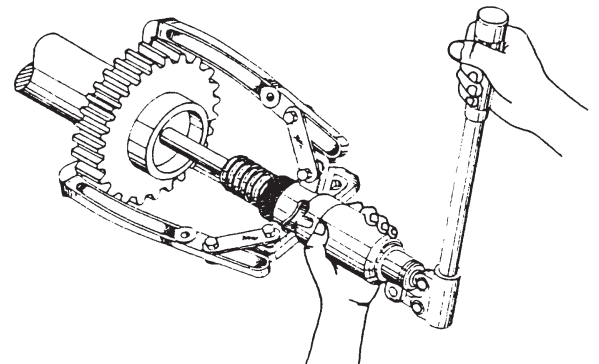


Figure 6

7. Turn the control valve knob completely in a counterclockwise direction to retract the piston. See Figure 7.

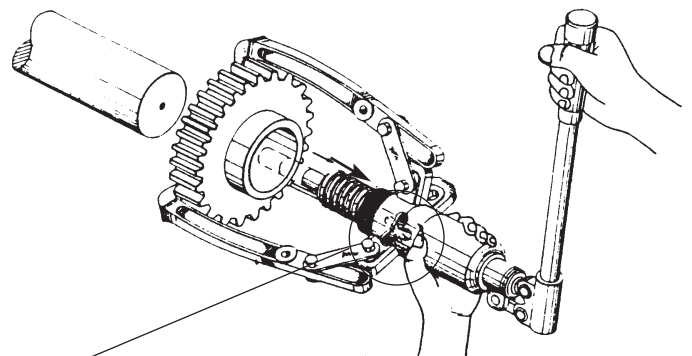
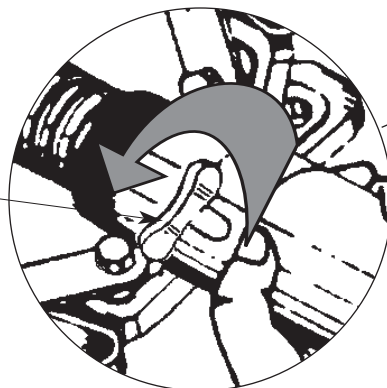
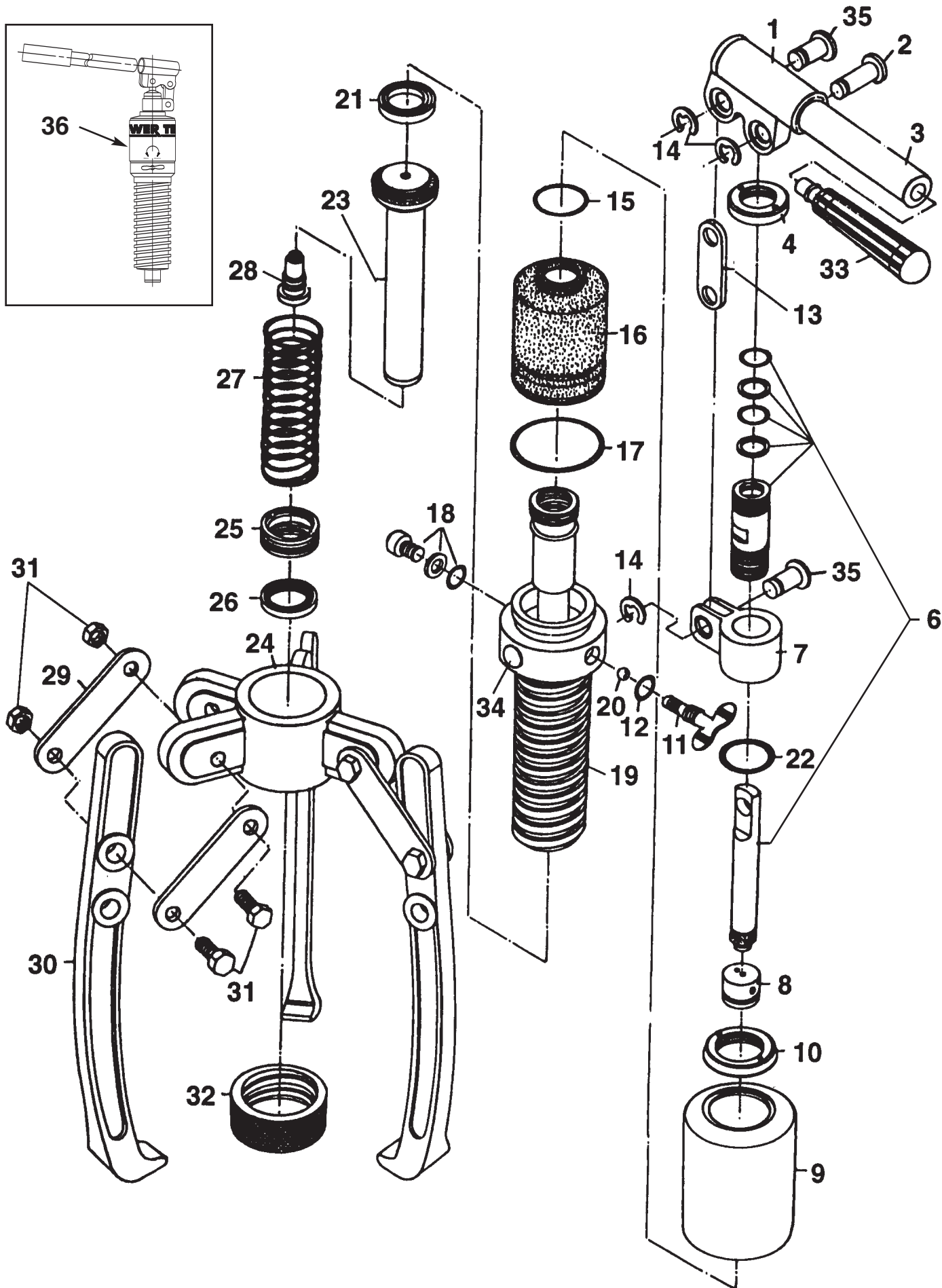
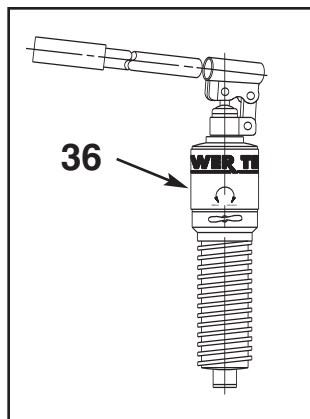


Figure 7

CONTROL VALVE  
KNOB



### PULLER PARTS LIST



Item No.	Part No. (For PH63C)	Part No. (For PH83C)	Part No. (For PH113C)	No. Req'd	Description
1	252926	252926	252926	1	Handle Clevis
2	252933	252933	252933	1	Clevis Pin - Long
3	252936	252936	252936	1	Handle Lever
4	252941	252941	252941	1	Retainer Nut
6	252914	252914	252914	1	Pump Housing and Piston Rod Assembly
7	252912	252912	252912	1	Swivel Clevis
8	252913	252913	252913	1	Inlet/Outlet Valve Assembly
9	252908	252909	252910	1	Bladder Housing
10	252911	252911	252911	1	Bladder Housing Retainer Nut
11	252903	252904	252904	1	Control Valve Knob
12	252902	252902	252902	1	O-ring
13	252925	252925	252925	1	Link Connector
14	252932	252932	252932	3	Retaining Ring
15	252887	252887	252887	1	Compression Ring - Small
16	252905	252906	252907	1	Reservoir Bladder
17	252888	252889	252890	1	Compression Ring - Large
18	252900	252900	252900	1	Oil Fill Screw Assembly
19	252894	252895	252896	1	Hydraulic Puller Body
20	252901	252916	252916	1	Steel Ball
21	252937	252938	252939	1	U-cup
22	252940	252940	252940	1	O-ring
23	252891	252892	252893	1	Puller Piston Rod
24	252917	252918	252919	1	Puller Crosshead
25	252882	252883	252884	1	Cylinder Retaining Nut
26	252934	252934	252935	1	Rod Wiper
27	252885	252886	252886	1	Compression Spring
28	252930	252930	252931	1	Removable Cone Assembly
29	252923	252924	252924	6	Puller Strap
30	252920	252921	252922	3	Puller Jaw
		*30902	*30902	3	Long Puller Jaw (Optional)
31	252927	252928	252928	6	Puller Jaw Screw and Nut
32	252897	252898	252899	1	Adjusting Locknut
33	252957	252957	252957	1	Handle Grip Assembly
34	---	---	---	1	See Note Below
35	252951	252951	252951	2	Clevis Pin - Short
36	PH6	PH8	PH11	1	Replacement Hydraulic Assembly Complete w/ Handle

**PARTS INCLUDED BUT NOT SHOWN**

351491	351492	351493	1	Trade Name Decal
252948	252949	252950	1	Plastic Case

\*To order a set of three long jaws, order No. 1188.

NOTE: Relief Valve Assembly (Item #34) must not be serviced except by a qualified hydraulic service center. Contact your nearest service center or Power Team Technical Services for further information.

**PREVENTIVE MAINTENANCE**

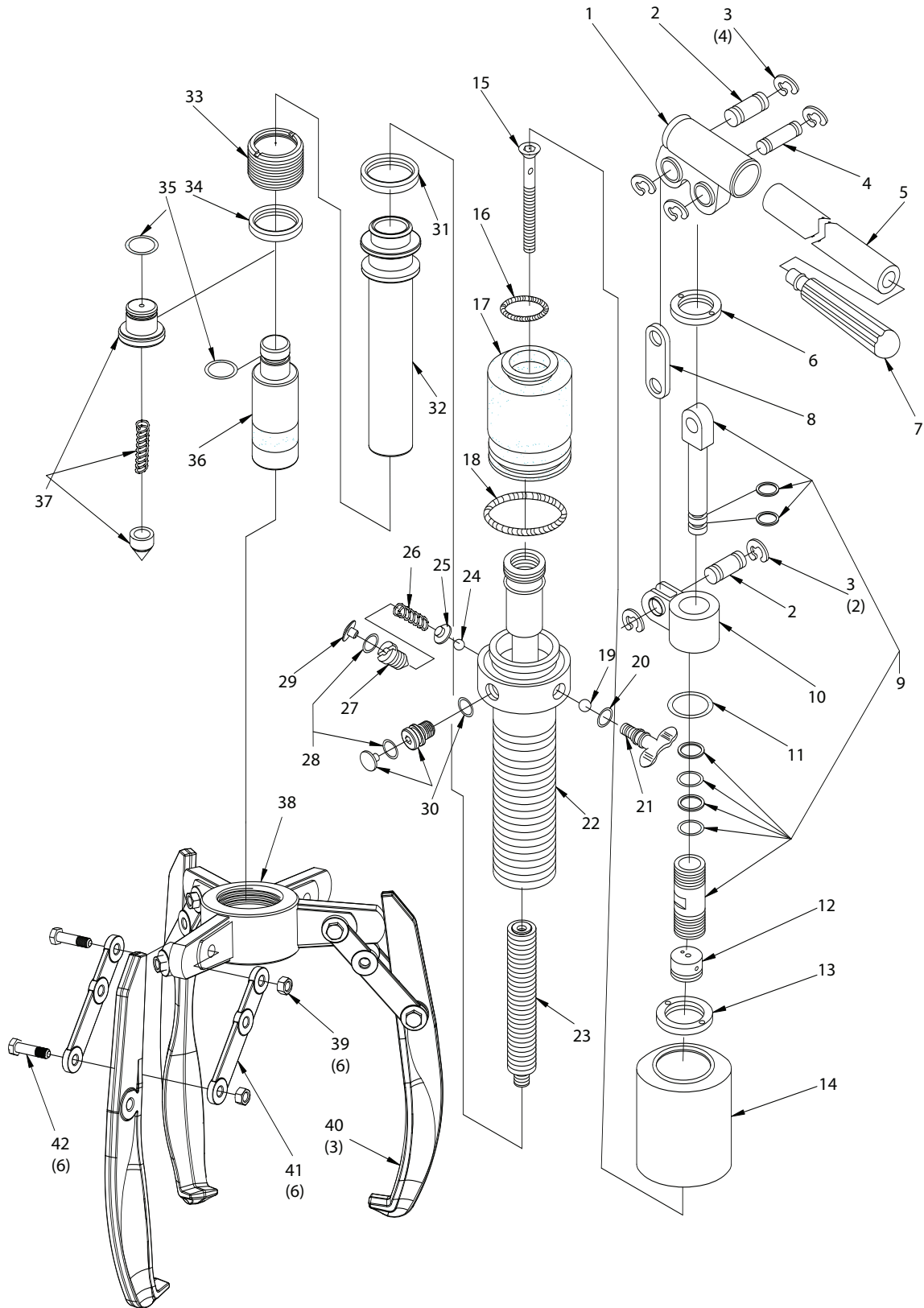
- Keep the puller as clean as possible to help prevent contamination from entering the hydraulic system and to prevent rust.
- If additional oil is needed, use Power Team hydraulic oil or a comparable jack oil.

- Reservoir oil capacity:
 

PH6 & PH63C = .19 pt (90 cc)	PH11 & PH113C = .32 pt (150 cc)
PH8 & PH83C = .25 pt (120 cc)	

- Periodically lubricate puller pivot points.
- Store the puller and all accessories in its plastic case.

### PULLER PARTS LIST-PH303C





**PH303C PULLER, HYD. GEAR 30 TON, W CASE & BLANKET**

ITEM	SPX NO.	QTY P/N	DESCRIPTION
1	252926	1	Clevis, Handle
2	2000616	2	Pin, Clevis - Short
3	252932	6	Ring, Retaining
4	2000620	1	Pin, Clevis - Long
5	252936	1	Lever, Handle
6	252941	1	Nut, Retainer (Nut, Cylinder Retaining)
7	252957	1	Assembly, Handle Grip
8	252925	1	Link, Connector
9	252914	1	Assembly, Pump Housing Pump and Piston
10	252912	1	Clevis, Swivel
11	252940	1	O-ring
12	252913	1	Assembly, Inlet / Outlet Valve
13	2000599	1	Nut, Retainer Housing Bladder
14	2000598	1	Housing, Bladder
15	2000621	1	Screw, Drag Spring
16	252887	1	Ring, Compression - Small (Spring)
17	2000601	1	Bladder, Reservoir
18	2000602	1	Ring, Compression - Large (Spring)
19	252916	1	Ball, Steel .250"
20	252902	1	O-ring
21	2000600	1	Knob, Valve Control
22	2000603	1	Body, Hydraulic Puller
23	2000622	1	Spring, Drag
24		1	
25		1	
26		1	
27		1	
28		2	
29		1	
30	2000629	1	Screw, Ass'y Oil Fill
31	2000604	1	U-cup
32	2000605	1	Rod, Piston Puller
33	2000607	1	Nut, Cylinder Retaining
34	2000608	1	Wiper, Rod Nitrile
35	2000630	2	O-ring
36	2000631	1	Adapter
37	2000632	1	Cone Assembly, Removable
38	2000606	1	Crosshead, Puller
39	2000614	6	Nut, Puller Jaw
40	2000612	3	Jaw, Puller
41	2000611	6	Strap, Puller
42	2000609	6	Screw, Puller Jaw
43			
44	2000613	3	Jaw, Long Puller (Optional, Not Shown)
45	2000617	1	Case, Metal Storage
46	2000618	1	Blanket, Protective
47	1000199	1	Decal
48	PH30	1	Pump, Replacement Assembly

NOTE: Relief Valve Assembly (Item #24–#29) must not be serviced except by a qualified hydraulic service center. Contact your nearest service center or Power Team Technical Services for further information.

**PREVENTIVE MAINTENANCE**

- Keep the puller as clean as possible to help prevent contamination from entering the hydraulic system and to prevent rust.
- If additional oil is needed, use Power Team hydraulic oil or a comparable jack oil.

- Reservoir oil capacity:

PH30 & PH303C = .68 pt (320 cc)

- Periodically lubricate puller pivot points.
- Store the puller and all accessories in its plastic case.

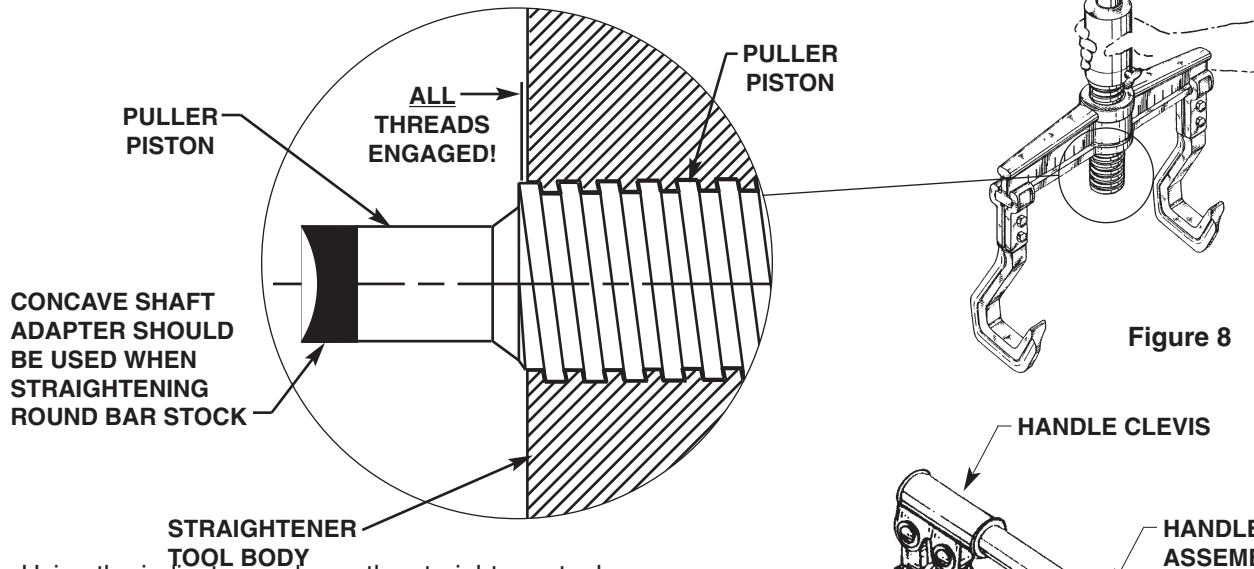
Sheet No. 4 of 5

Rev 10 Date: 30 Mar 2006

## STRAIGHTENER TOOL SETUP AND OPERATION

1. Thread the straightener tool onto the puller body. See Figure 8.

**WARNING:** The straightener tool must be fully engaged with the threads of the puller body as shown below.

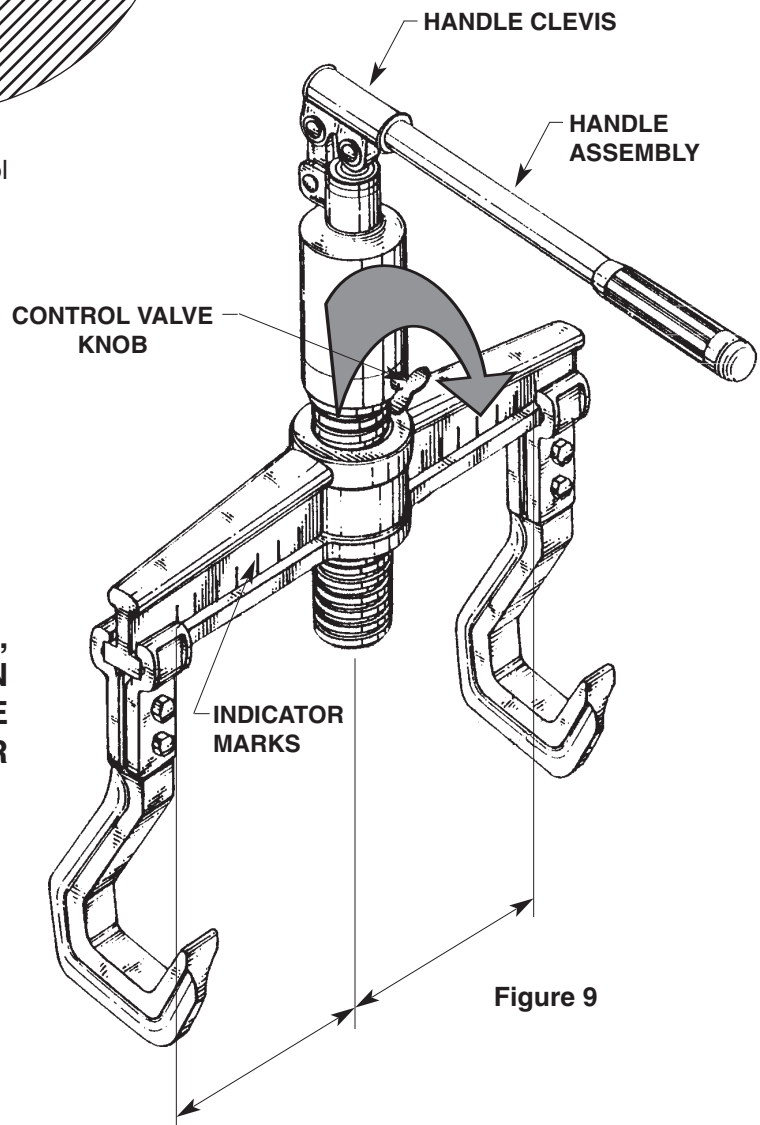


2. Using the indicator marks on the straightener tool body, position the straightener tool arms an equal distance apart from the center of the puller body. See Figure 9.

**WARNING:** Failure to equally position the straightener tool arms on the straightener body creates a very dangerous situation. The force will be unevenly distributed to each arm causing tool breakage and personal injury.

**IMPORTANT:** DO NOT USE HEAT, HAMMERS, OR IMPACT TOOLS ON THESE PULLERS. THIS WILL CAUSE DAMAGE THAT VOIDS THE PULLER WARRANTY.

3. Place the handle assembly into the handle clevis. See Figure 9.
4. Place puller and tool on a bar or round bar stock to be straightened. Turn the control valve knob completely in a clockwise direction to advance the piston. See Figure 9.

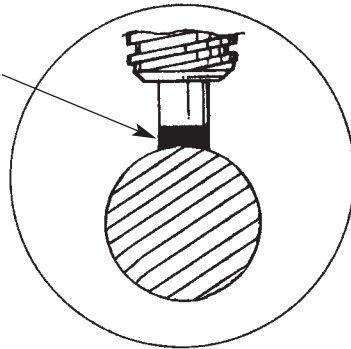




**STRAIGHTENER TOOL SETUP AND OPERATION (CONTINUED)**

5. Advance the piston by pumping on the handle until the bar or round bar stock is straight. See Figure 10.
6. Turn the control valve knob completely in a counterclockwise direction to retract the piston. See Figure 10.

CONCAVE  
SHAFT ADAPTER



CONTROL VALVE  
KNOB

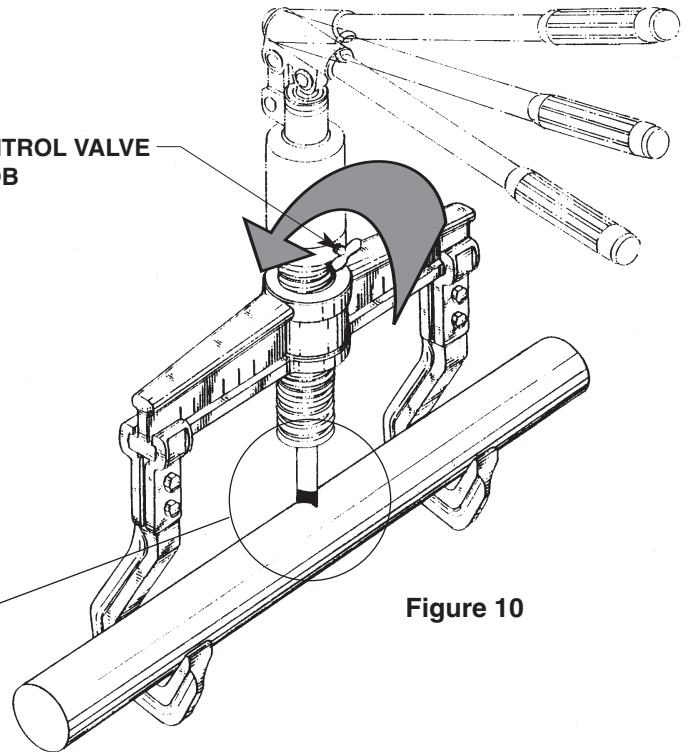
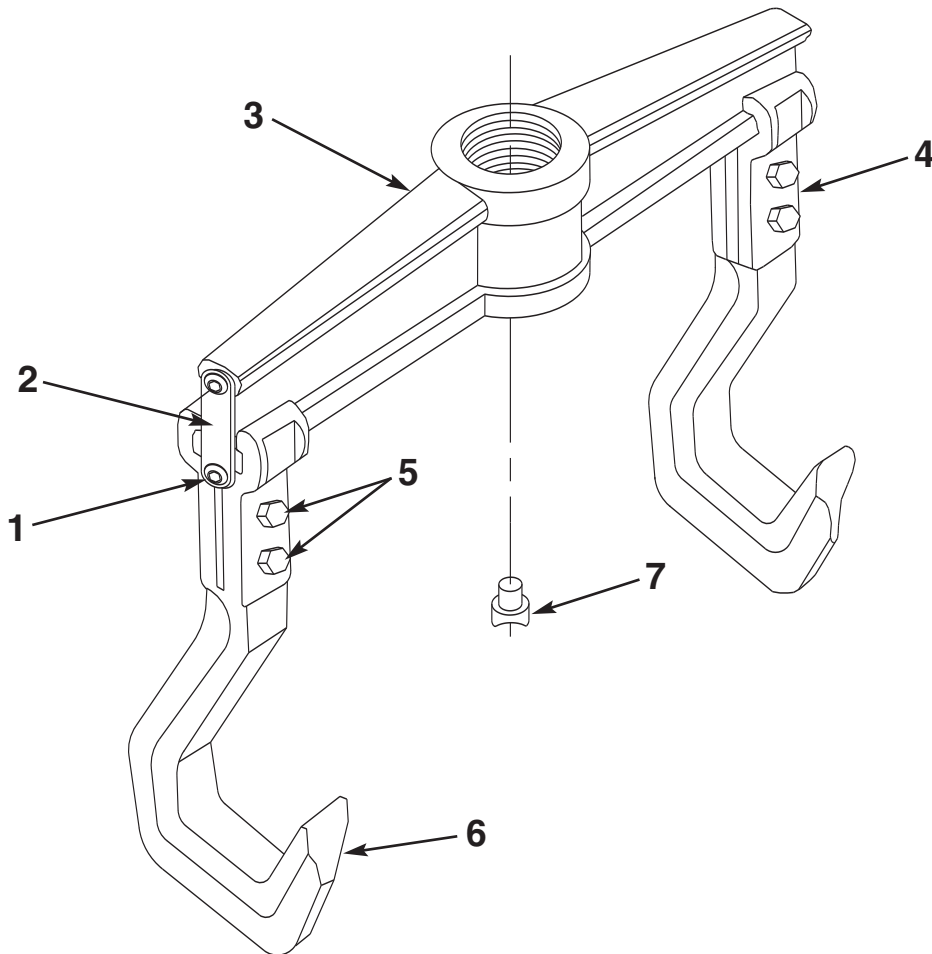


Figure 10

## HST11 STRAIGHTENER TOOL PARTS LIST



Item No.	Part No.	No. Req'd	Description
1	253042	4	Screw
2	253041	2	Strap
3	253037	1	Crossbar
4	253038	2	Jaw Holder
5	253040	4	Nut and Bolt Assembly
6	253039	2	Jaw
7	253060	1	Concave Ram Cap (Assemble to piston rod of puller.)

### PARTS INCLUDED BUT NOT SHOWN

222142	1	Warning Decal
351563	1	Trade Name Decal
PH11	1	Hydraulic Puller Assembly Complete (With handle, also see back sheet 2 of 4 and 3 of 4)

**NOTE: HST11S is a set consisting of HST11 straightener tool and PH11 hydraulic puller with handle.**