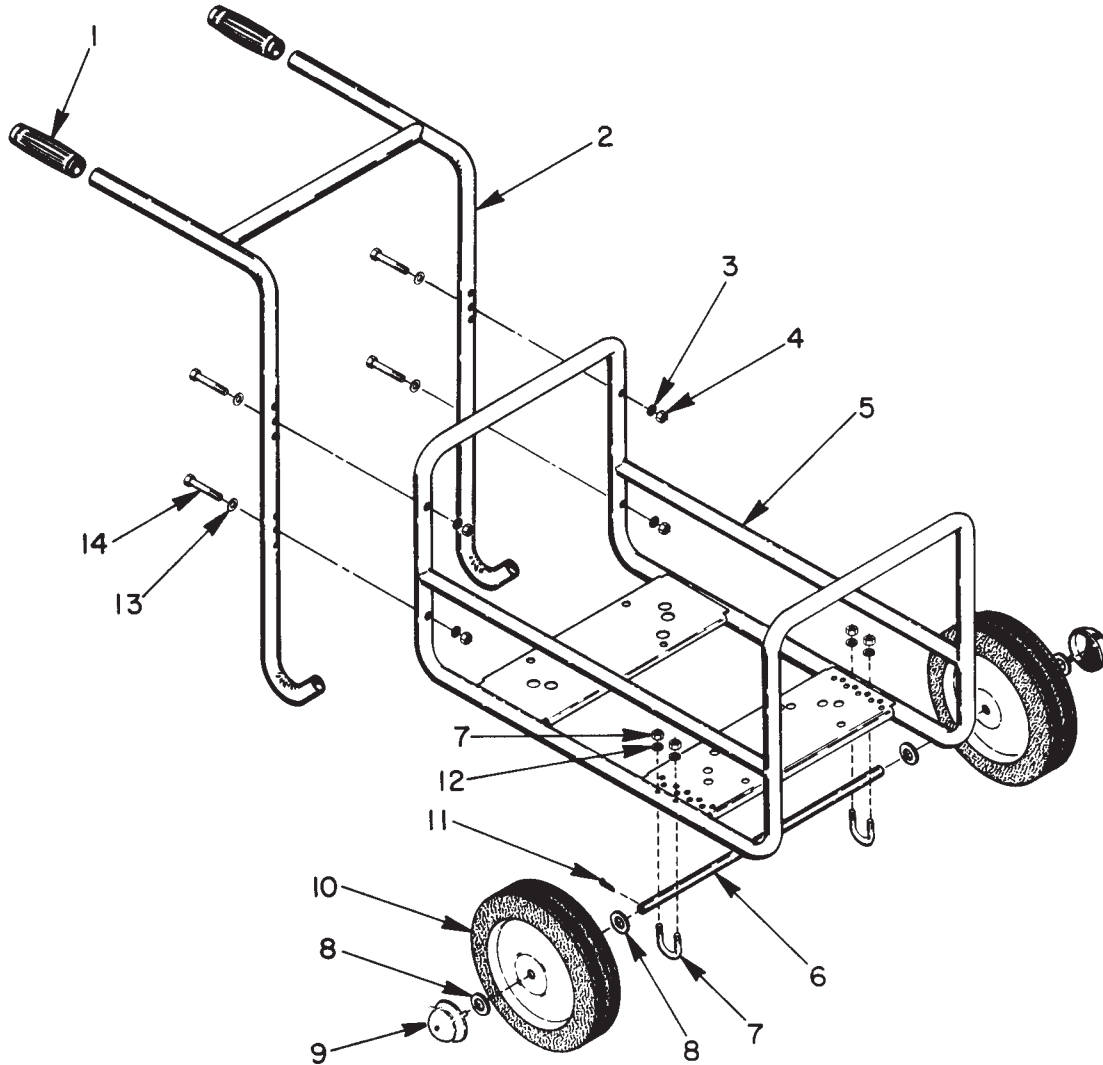


PC200 UNIVERSAL PUMP CART



Item No.	Part No.	No. Req'd	Description	Item No.	Part No.	No. Req'd	Description
1	206731	2	Handle Grip	8	12330	4	Washer (For 3/4 bolt)
2	46455BK2	1	Handle	9	206737	2	Hub Cap
3	10246	4	Lockwasher (For 5/16 bolt)	10	212876	2	Wheel
4	10201	4	Hex Nut (5/16-18 UNC)	11	10573	2	Cotter Pin
5	60855BK2	1	Frame	12	10245	4	Lockwasher (For 1/4 bolt)
6	307004	1	Axle	13	10257	4	Washer (For 5/16 bolt)
7	206270	2	U-Bolt (with nuts)	14	10039	4	Cap Screw (5/16-18 X 2-1/2 Lg.)

ASSEMBLY

Assemble the cart as shown in Figure 2. All fasteners should be tightened securely.



WARNING:

- The cart has a 200 lb. maximum load capacity.
- Be careful moving the loaded cart around corners as the cart may tip over.

NOTE: An optional roll cage is available for most pump models (see below).

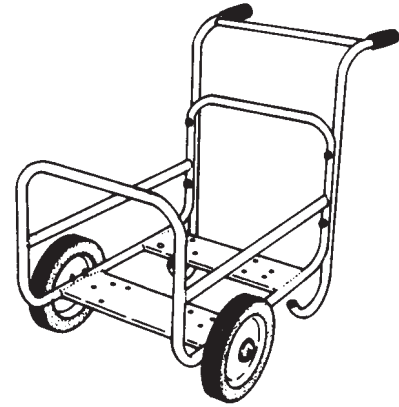


FIGURE 2

PUMP ATTACHMENT

Securely attach the Power Team pump to the cart using the proper mounting holes. See Pump Mounting Chart.

CART FRAME

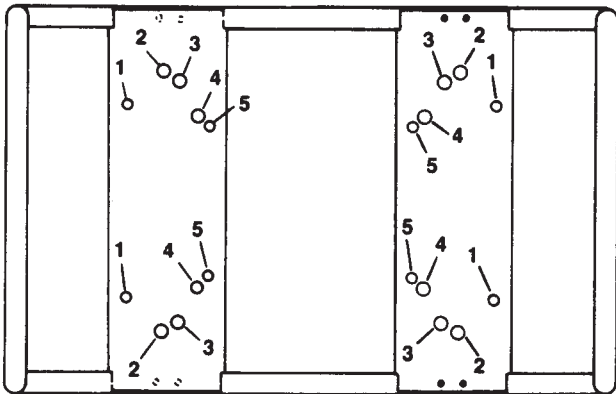
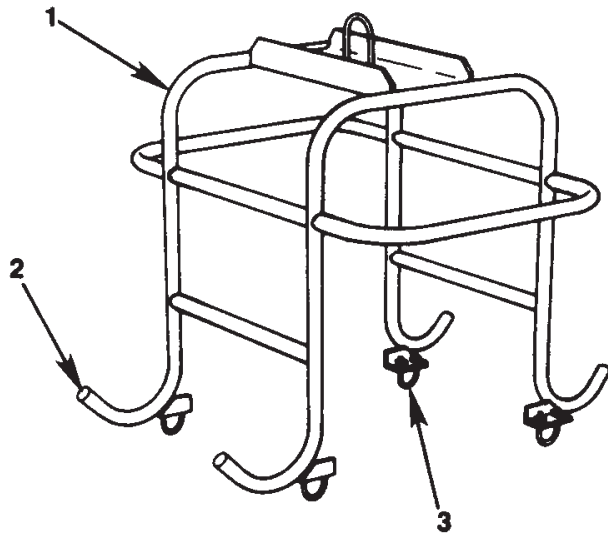


FIGURE 3

PUMP MOUNTING CHART

HOLES #	PUMP/RESERVOIR
1	PG55 Series RP101 Reservoir
2	PQ60 Series PQ120 Series RP103 Reservoir
3	PQ20 Series RP102 Reservoir
4	PA554 Series, PE55 Series PE183-2 Series PE184-2 Series RP100 Reservoir
5	PA60 Series and PA64 Series



PC200-RC ROLL CAGE

Item No.	Part No.	No. Req'd	Description
1	46456BK2	1	Roll Cage
2	10432	4	Button Snap
3	209355	4	U-Bolt (with nuts)