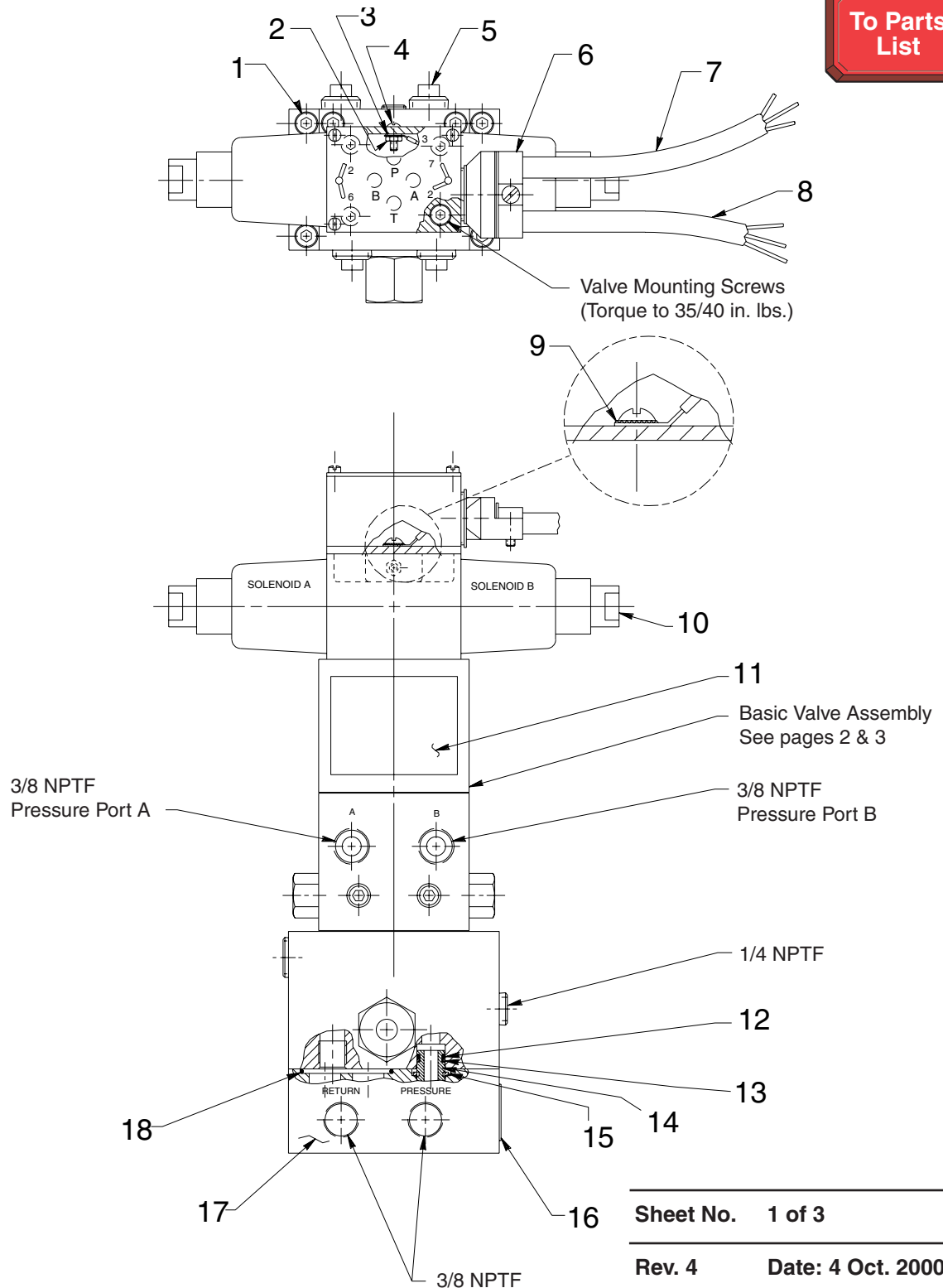


MODEL C SOLENOID CONTROLLED, PILOT OPERATED, 3 POSITION, 4-WAY VALVE ASSEMBLY



Parts List, Form No. 101654, Back sheet 1 of 3

Item No.	Part No.	No. Req'd	Description	Item No.	Part No.	No. Req'd	Description
1	10856	4	Cap Screw (Torque to 70/80 in. lbs.)	11	251960	1	Identification Decal (For 9514)
2	10195	1	Nut (#6-32)		252266	1	Identification Decal (For 9525)
3	15906	1	Lockwasher (#6)		252267	1	Identification Decal (For 9555)
4	10448	1	Screw (#6 x 3/8 Lg.)	12	*10268	2	O-ring (1/2 x 3/8 x 1/16)
5	11127	4	Pipe Plug (3/8 NPTF)	13	*11863	2	Backup Washer (1/2 x 3/8 x 1/16)
6	17866	1	Connector	14	21094	1	Bushing
7	12293	8'	Electrical Cable (16/3 SJTO)	15	251124	1	Retaining Ring
8	202778	1	Remote Control Hand Switch (See Parts List no. 101644)	16	*208358	1	Warning Decal
9	15904	1	Terminal Ring	17	52506	1	Subplate
10	16664-1	1	Solenoid Valve	18	*10914	1	O-ring (1-3/8" x 1-1/16" x 3/32)



Part numbers marked with an asterisk (*) are contained in Repair Kit No. 300835.

SPECIFICATIONS

OPERATION

Neutral (Hold): When both solenoids are de-energized, oil from pump circulates at free flow from the pressure port "P" to tank "T". Both cylinder ports are blocked.

Solenoid "A" Energized: Pressure to cylinder port "A". Cylinder port "B" to tank.

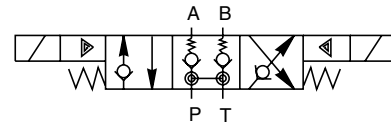
Solenoid "B" Energized: Pressure to cylinder port "B". Cylinder port "A" to tank.

NOTE: Pressure holds without loss when shifted from cylinder port to the neutral (Hold) position.

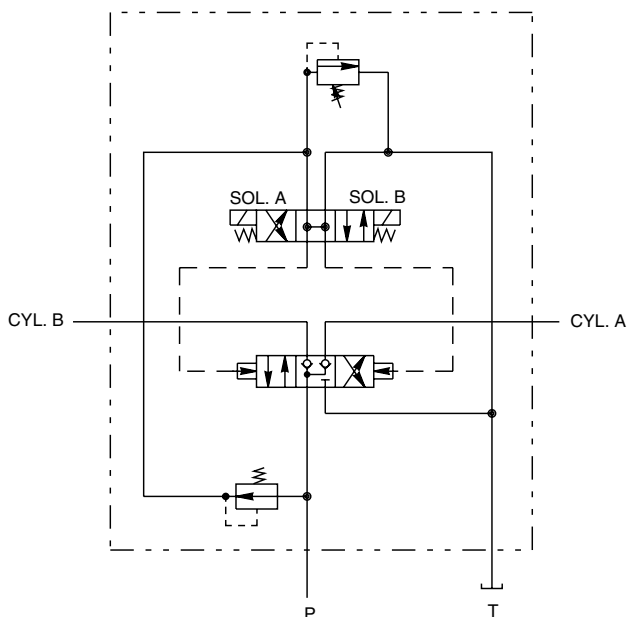
For pump, connect lines to pressure and return ports on remote mounted valve. Connect double-acting cylinder to valve. With remote control, operate cylinder to assure proper function of valve.

Port Sizes: 3/8" NPTF
 Maximum Pressure: 10,000 PSI
 Max. Recommended Flow: 5 GPM

SIMPLIFIED SYMBOL

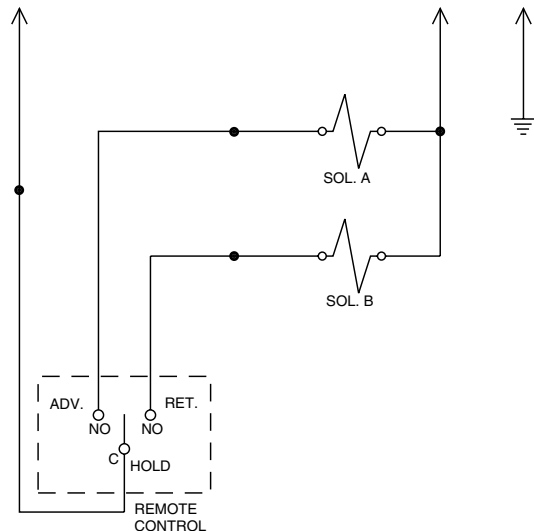


HYDRAULIC SCHEMATIC



ELECTRICAL SCHEMATIC

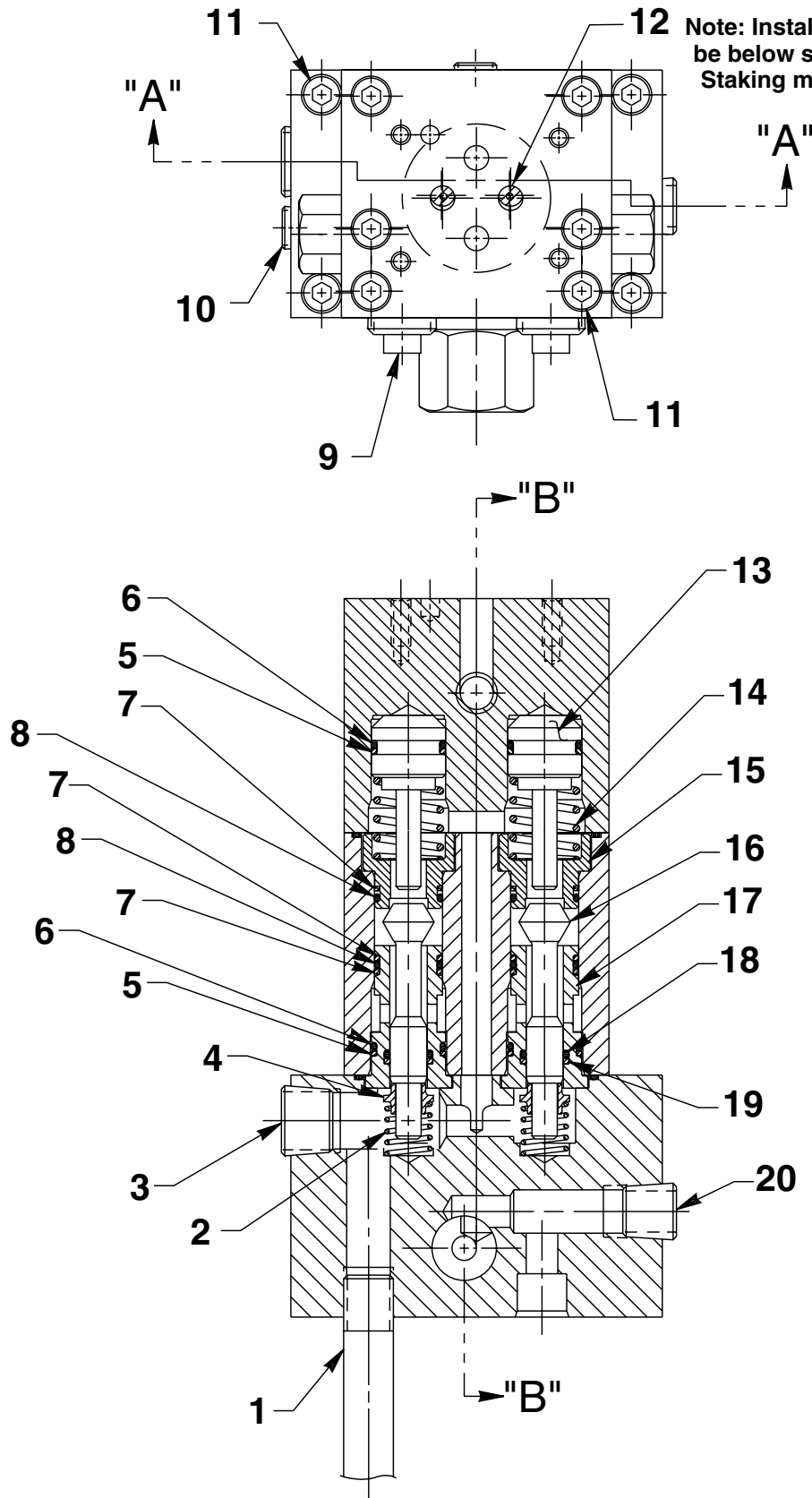
115 Volt, 50 Hz.



Note: Shaded areas reflect last revision(s) made to this form.



TOP VIEW AND SECTION A-A



Note: Install to bottom of threads. Plug must be below surface (2 places). Stake threads. Staking must not protrude above surface.

Section A-A

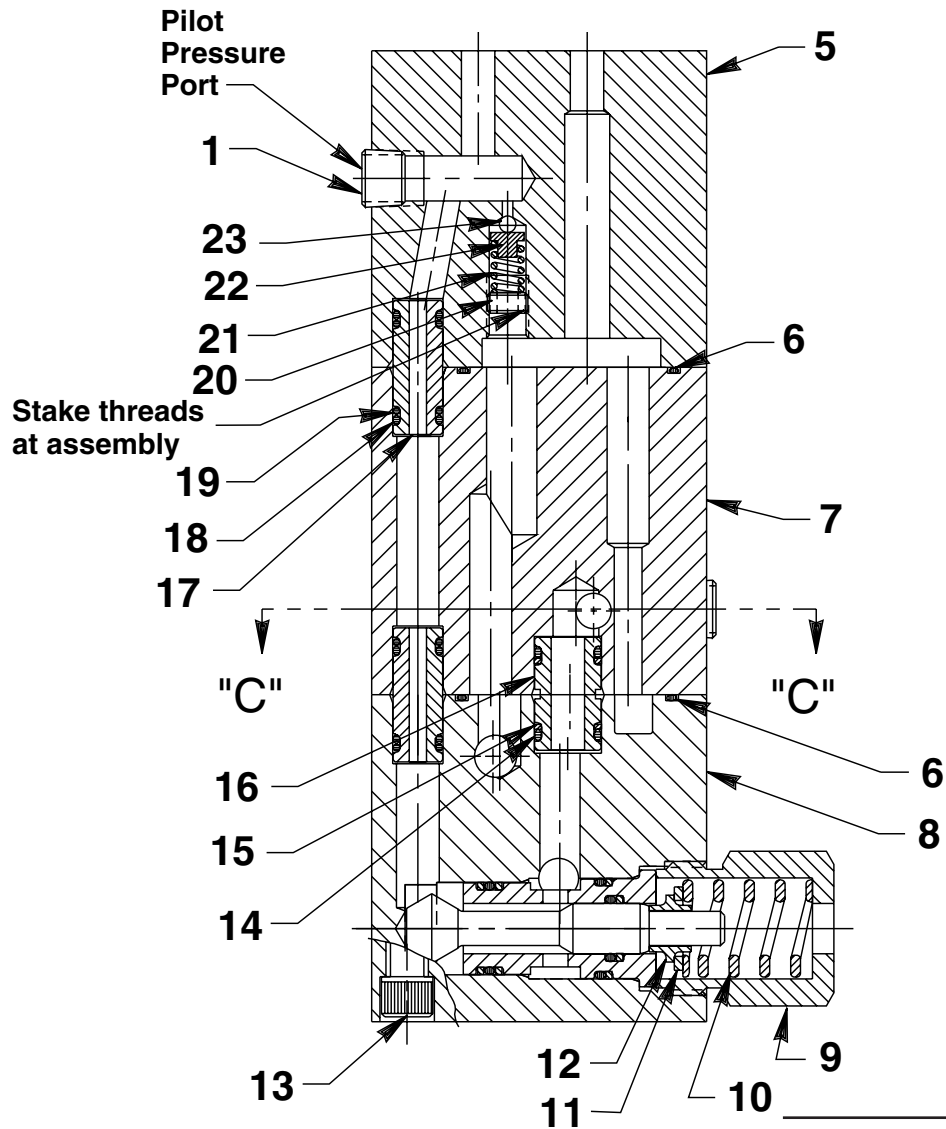
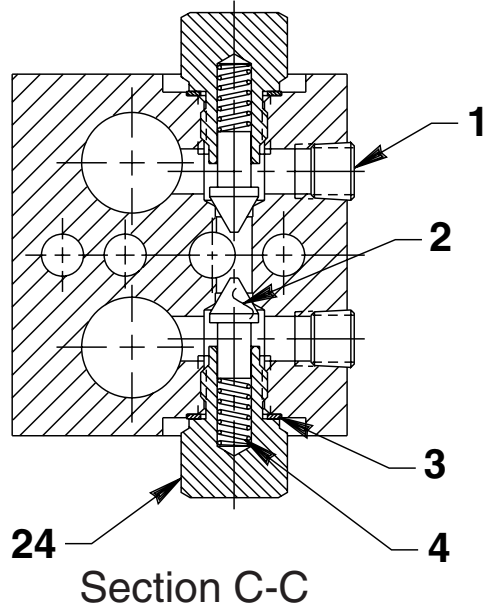
Parts List, Form No. 101654, Back sheet 2 of 3

Item No.	Part No.	No. Req'd	Description
1	200609	1	Drain Tube
2	11195	2	Compression Spring (1/2 O.D. X 3/4 Lg.)
3	10909	1	Plug (3/8 NPTF)
4	202479	2	Check Valve Spring Guide
5	*12392	5	Backup Washer (3/4 X 5/8 X 3/64)
6	*10302	5	O-ring (3/4 X 5/8 X 1/16; Nitrile)
	11442	5	O-ring (3/4 X 5/8 X 1/16; Viton)
	12400	5	O-ring (3/4 X 5/8 X 1/16; EPR)
7	*12391	8	Backup Washer (11/16 X 9/16 X 3/64)
8	*11284	5	O-ring (11/16 X 9/16 X 1/16; Nitrile)
	11441	5	O-ring (11/16 X 9/16 X 1/16; Viton)
	250137	5	O-ring (11/16 X 9/16 X 1/16; EPR)
9	11127	2	Plug (3/8 NPTF)
10	10427	1	Pressure Plug (1/8 NPTF)
11	10856	8	Cap Screw (1/4-20 X 2-1/2" Lg.; Torque to 200/230 in. lbs.)
12	251675	2	Orifice Plug (Note: Install to bottom of threads. Plug must be below surface [2 places]. Stake threads. Staking must not protrude above surface.)
13	307090	2	Pilot Piston
14	213880	2	Compression Spring (11/16 O.D. X 1" Lg.)
15	307089	2	Valve Seat
16	200542	3	Poppet
17	22068	3	Bushing
18	*10268	2	O-ring (1/2 X 3/8 X 1/16; Nitrile)
	11439	2	O-ring (1/2 X 3/8 X 1/16; Viton)
	17716	2	O-ring (1/2 X 3/8 X 1/16; EPR)
19	*11863	2	Backup Washer (1/2 X 3/8 X 3/64)
20	10479	1	Pipe Plug (1/4 NPTF)

Part numbers marked with an asterisk (*) are contained in Repair Kit No. 300835.



SECTIONS B-B AND C-C



Item No.	Part No.	No. Req'd	Description
1	10427	3	Pipe Plug (1/8 NPTF)
2	213096	2	Poppet
3	*14874	2	Copper Washer (11/16 X 1/2 X 1/32)
4	15691	2	Compression Spring (1/4 O.D. X 5/8 Lg.)
5	64981	1	Valve Body (Top)
6	*251954	2	O-ring (2-3/8" X 2-1/4" X 1/16)
7	64989	1	Valve Body (Center)
8	64984	1	Valve Body (Lower)
9	202494	1	Spring Retainer (Torque to 100/125 ft. lbs.)
10	14979	1	Compression Spring (3/4 O.D. X 1" Lg.)
11	16668	1	Washer (5/8 X 3/8 X 1/16)
12	202479	1	Check Valve Spring Guide
13	209945	4	Cap Screw (1/4-20 X 2-1/2" Lg.; Torque to 200/230 in. lbs.)
14	*10268	3	O-ring (1/2 X 3/8 X 1/16; Nitrile)
	11439	3	O-ring (1/2 X 3/8 X 1/16; Viton)
	17716	3	O-ring (1/2 X 3/8 X 1/16; EPR)
15	*11863	3	Backup Washer (1/2 X 3/8 X 3/64)
16	21094	1	Bushing
17	215261	2	Bushing
18	*10266	4	O-ring (3/8 X 1/4 X 1/16)
19	*12184	4	Backup Washer (3/8 X 1/4 X .048)
20	16704	1	Soc. Hd. Jam Screw (5/16-24 UNF X 5/32 Lg.)
21	16665	1	Compression Spring (5/32 I.D. X 1/2 Lg.)
22	202499	1	Spring Guide
23	10418	1	Steel Ball (1/8 dia.)
24	307136	2	Valve Screw (Torque to 35/40 ft. lbs.)

Part numbers marked with an asterisk (*) are contained in Repair Kit No. 300835.



Refer to any operating instructions included with this product for detailed information about operation, testing, disassembly, reassembly, and preventive maintenance.

Items found in this parts list have been carefully tested and selected. **Therefore: Use only genuine Power Team replacement parts!**

Additional questions can be directed to our Technical Services Department.