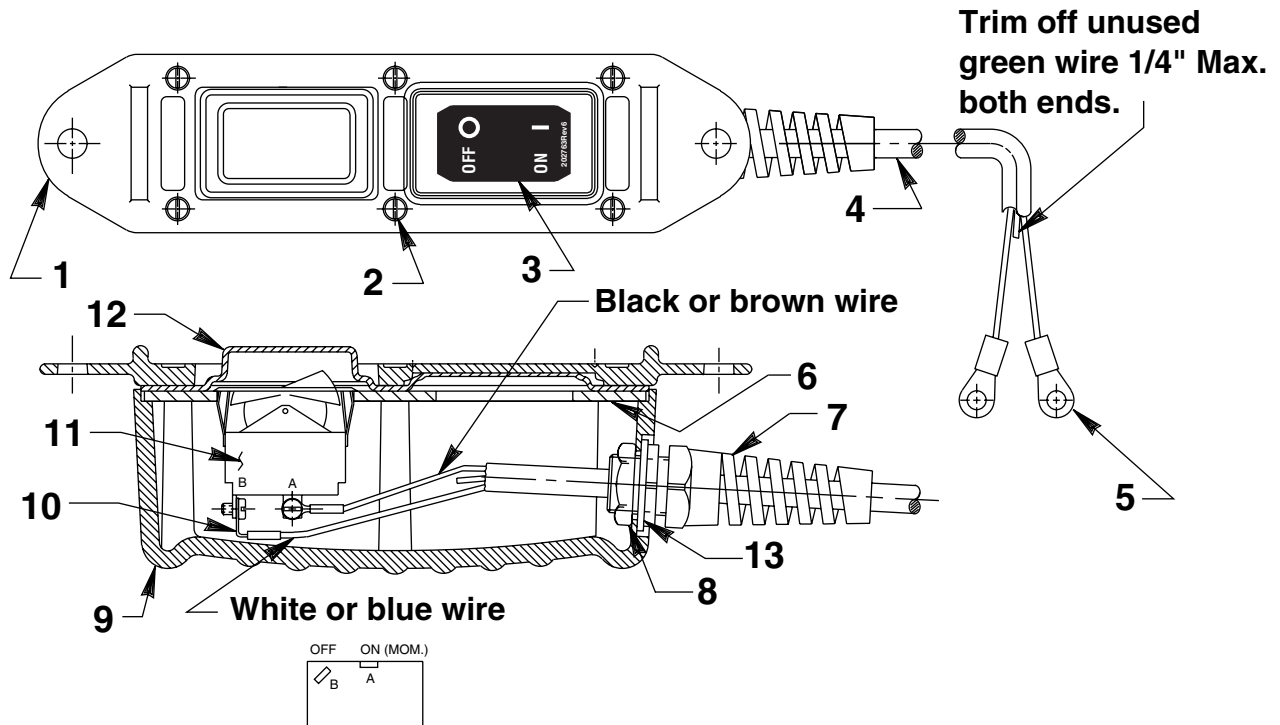


REMOTE HAND SWITCH ASSEMBLY

No. 25017 - Rocker Switch Style

(Note: This style of switch can easily be converted to a pushbutton style as shown on back sheet 1 of 3)



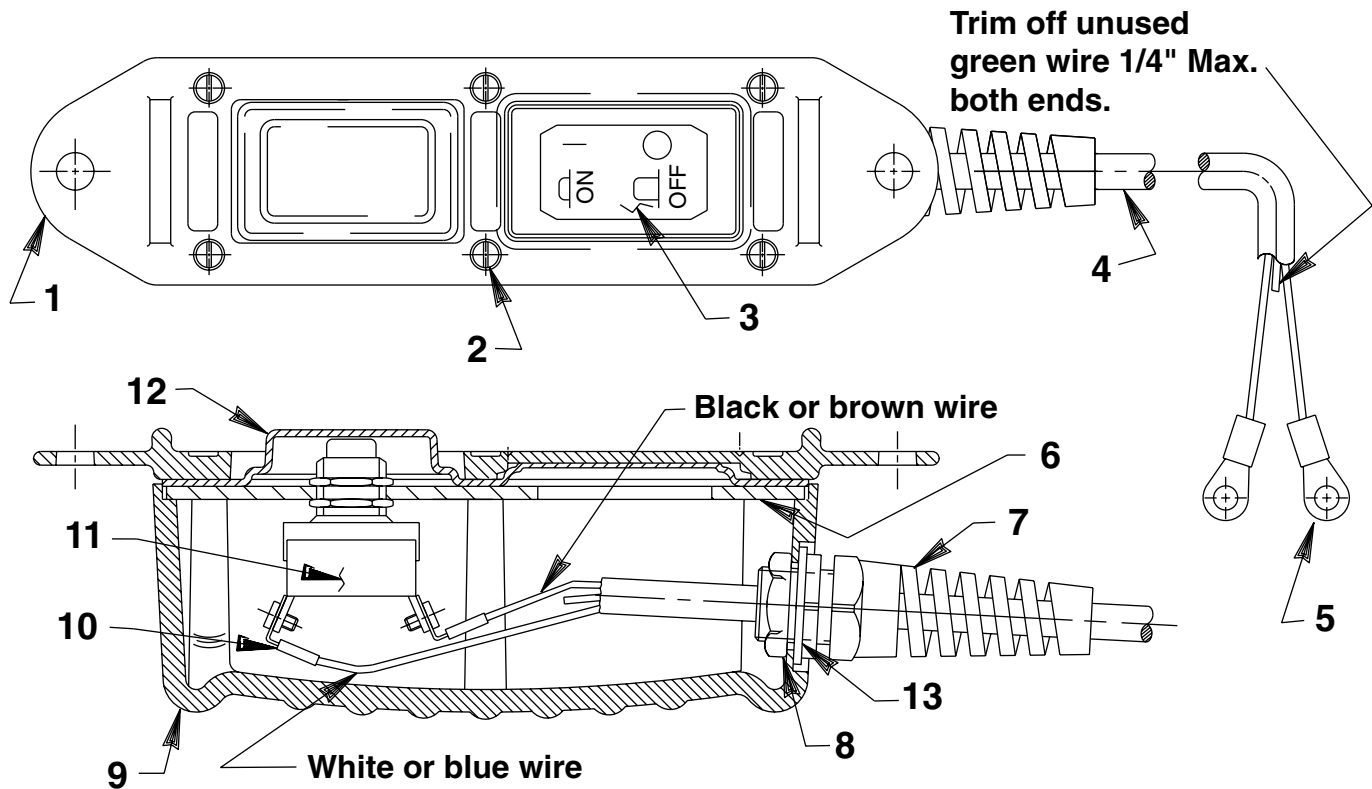
Item No.	Part No.	No. Req'd	Description
1	420050-1	1	Cover
2	250248	6	Screw (4-24 x 3/4 Lg.)
3	202763	1	Decal
4	12908	11 ft.	Cable (18/3 SJTO)
5	10458	2	Ring Terminal
6	420050-3	1	Switch Mounting Plate
7	251818	1	Strain Relief Connector
8	251802	1	Locknut (3/4-16 UNF; Torque to 30/35 in. lbs.)
9	420050-4	1	Switch Housing
10	10525	2	Ring Terminal
11	16772	1	Rocker Switch
12	420050-2	1	Gasket
13	253607	1	Gasket

Note: Changed graphics on decals at last revision(s) made to this form.

Sheet No. 1 of 3

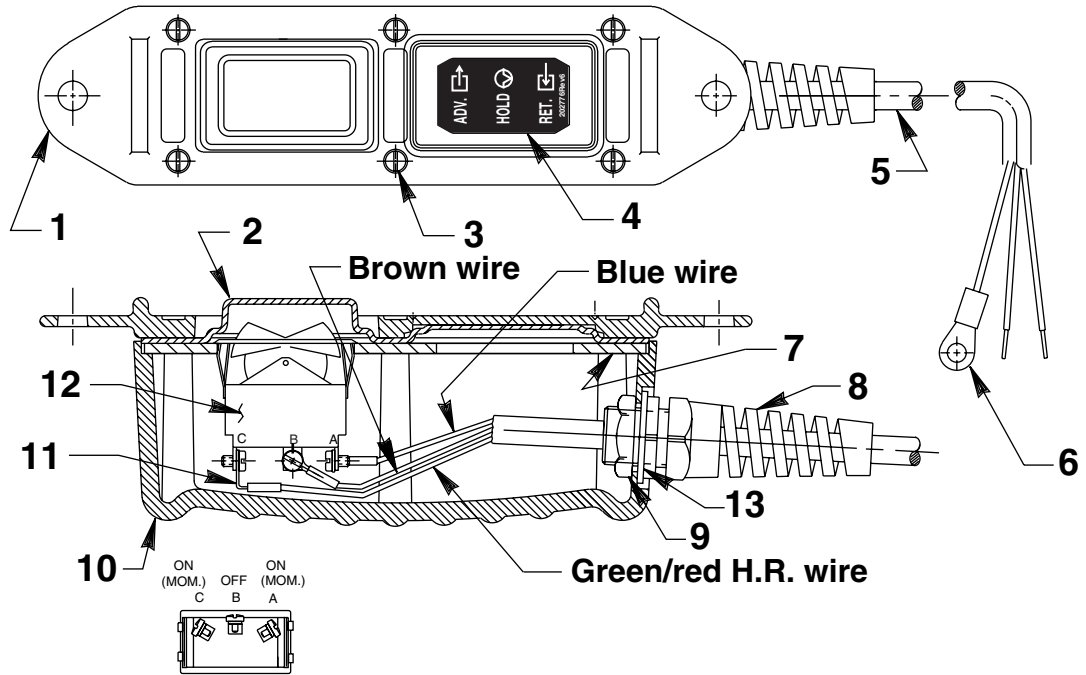
Rev. 3 Date: 14 Nov. 2000

REMOTE HAND SWITCH ASSEMBLY No. 25017 (Pushbutton Switch Style)



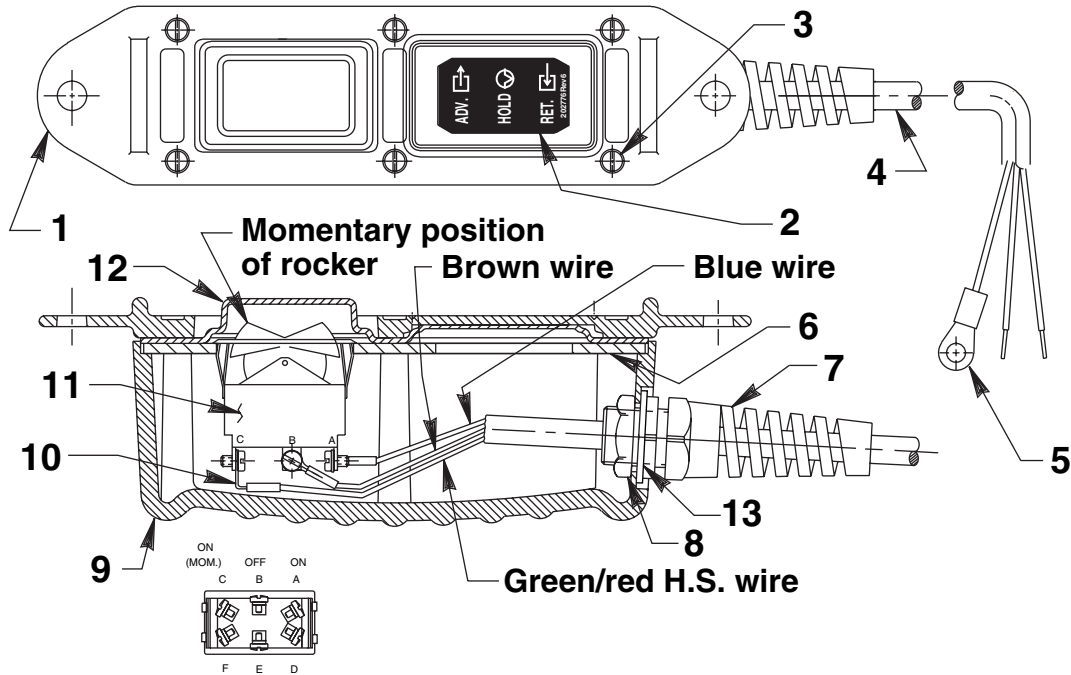
Item No.	Part No.	No. Req'd	Description
1	420050-1	1	Cover
2	250248	6	Screw (4-24 x 3/4 Lg.)
3	253172	1	Decal
4	12908	11 ft.	Cable (18/3 SJTO)
5	10458	2	Ring Terminal
6	420050-5	1	Switch Mounting Plate
7	251818	1	Strain Relief Connector
8	251802	1	Locknut (3/4-16 UNF; Torque to 30/35 in. lbs.)
9	420050-4	1	Switch Housing
10	10525	2	Ring Terminal
11	253197	1	Pushbutton Switch
12	420050-2	1	Gasket
13	253607	1	Gasket

REMOTE HAND SWITCH ASSEMBLY No. 202778



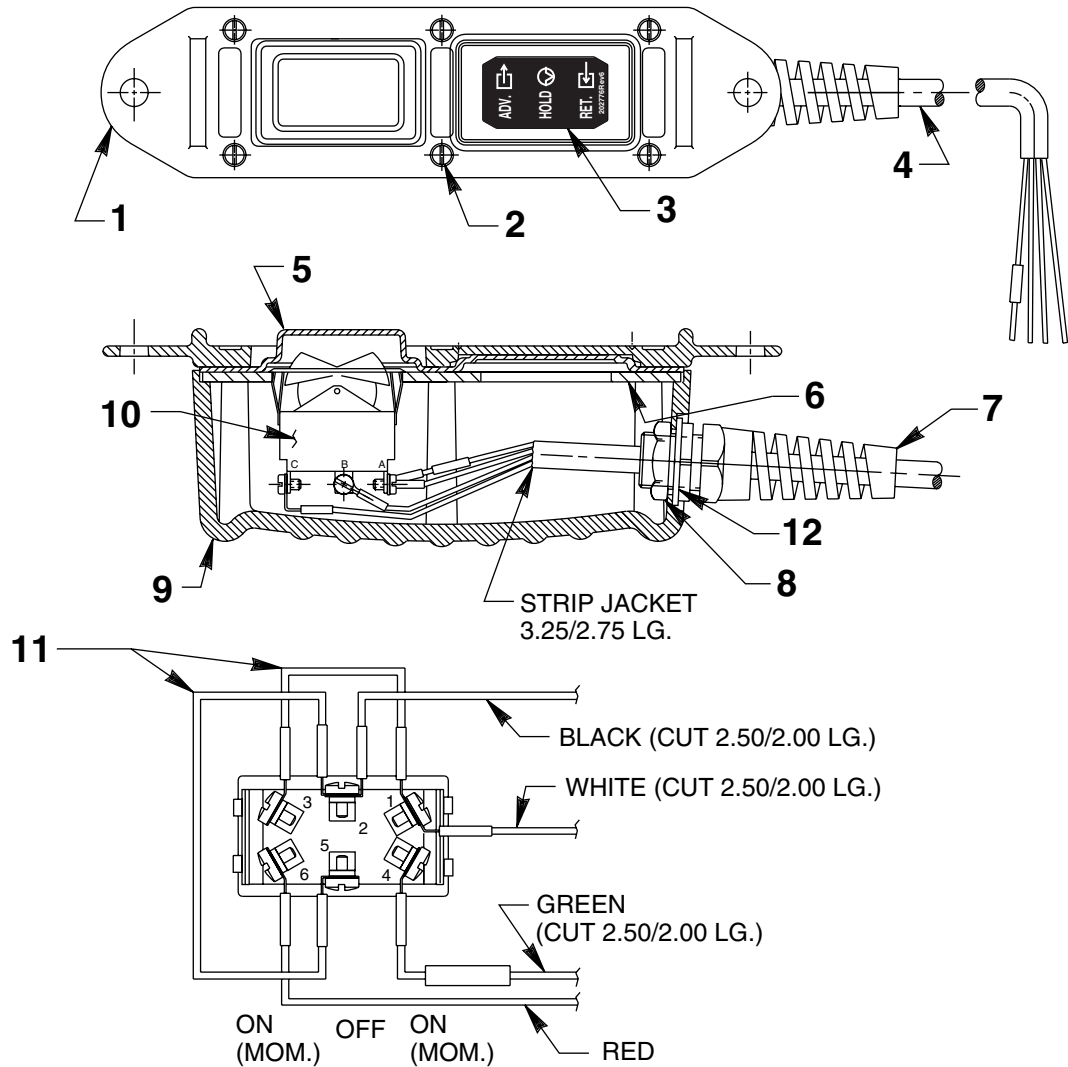
Item No.	Part No.	No. Req'd	Description
1	420050-1	1	Cover
2	420050-2	1	Gasket
3	250248	6	Screw (4-24 x 3/4 Lg.)
4	202776	1	Decal
5	12908	10 ft.	Cable (18/3 SJTO)
6	10458	2	Ring Terminal
7	420050-3	1	Switch Mounting Plate
8	251818	1	Strain Relief Connector
9	251802	1	Locknut (3/4-16 UNF; Torque to 30/35 in. lbs.)
10	420050-4	1	Switch Housing
11	10525	3	Ring Terminal
12	16773	1	Rocker Switch
13	253607	1	Gasket

REMOTE HAND SWITCH ASSEMBLY No. 202777



Item No.	Part No.	No. Req'd	Description
1	420050-1	1	Cover
2	202776	1	Decal
3	12908	10 ft.	Cable (18/3 SJTO)
4	250248	6	Screw (4-24 x 3/4 Lg.)
5	10458	1	Ring Terminal
6	420050-3	1	Switch Mounting Plate
7	251818	1	Strain Relief Connector
8	251802	1	Locknut (3/4-16 UNF; Torque to 30/35 in. lbs.)
9	420050-4	1	Switch Housing
10	10525	3	Ring Terminal
11	16774	1	Rocker Switch
12	420050-2	1	Gasket
13	253607	1	Gasket

REMOTE HAND SWITCH ASSEMBLY No. 304718



Item No.	Part No.	No. Req'd	Description
1	420050-1	1	Cover
2	250248	6	Screw (4-24 x 3/4 Lg.)
3	202776	1	Decal
4	11391	10 ft.	Cable
5	420050-2	1	Gasket
6	420050-3	1	Switch Mounting Plate
7	251818	1	Strain Relief Connector
8	251802	1	Locknut (3/4-16 UNF; Torque to 30/35 in. lbs.)
9	420050-4	1	Switch Housing
10	45524	1	Switch
11	13402	.5 ft.	18 ga.Wire (Black; 3" Lg. Each Jumper.)
12	253607	1	Gasket