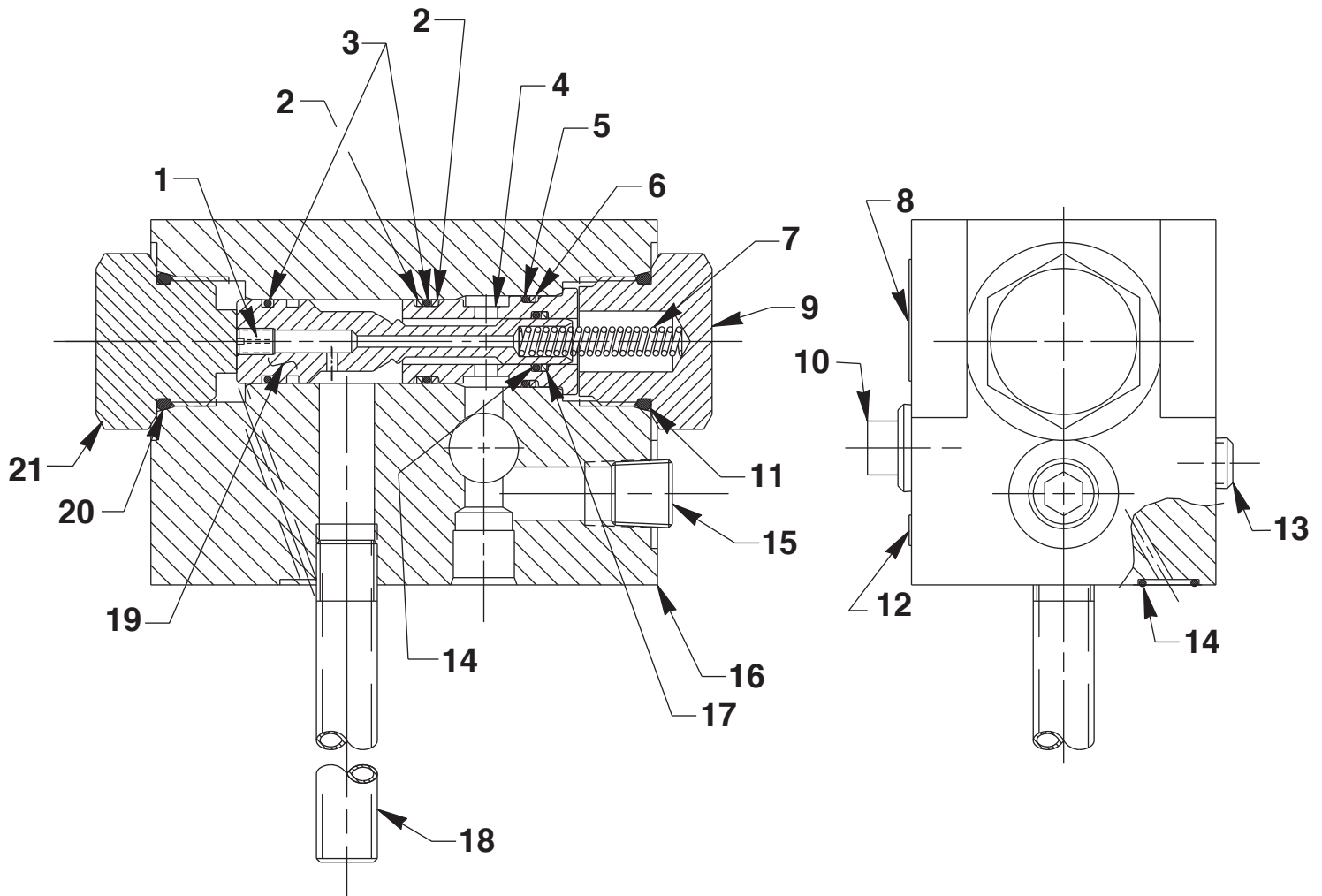


MODEL B  
**AUTOMATIC VALVE**  
TWO-POSITION, 3-WAY, PILOT OPERATED  
Max. Capacity: 10,000 PSI



# Parts List, Form No. 101200, Back sheet 1 of 2

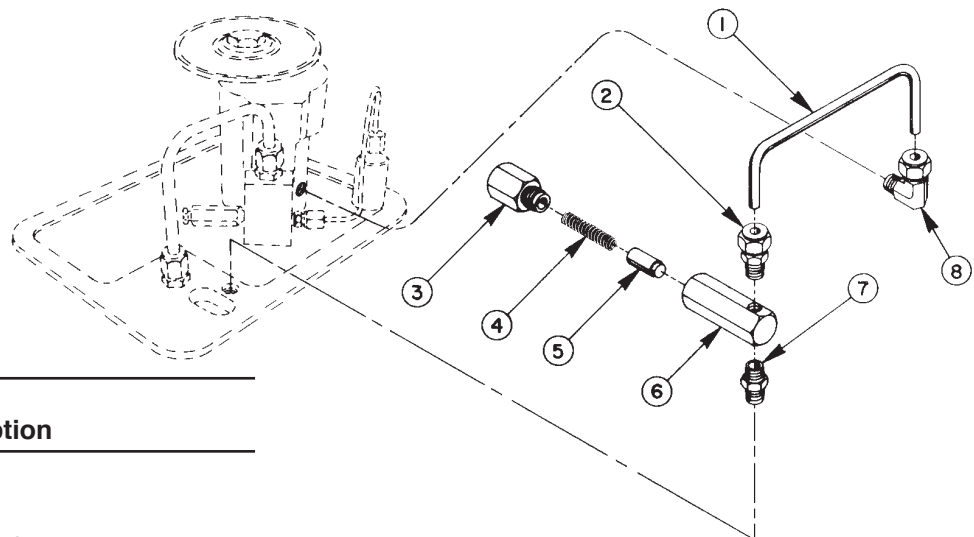
Item No.	Part No.	No. Req'd	Description
1	214990	1	Restrictor Screw
2	12391	2	PTFE Backup Washer (11/16 x 9/16 x 1/16)
3	11284	2	O-ring (11/16 x 9/16 x 1/16; Nitrile)
	11441	2	O-ring (11/16 x 9/16 x 1/16; Viton)
4	250137	2	O-ring (11/16 x 9/16 x 1/16; EPR)
	22068	1	Bushing
5	10302	1	O-ring (3/4 x 5/8 x 1/16; Nitrile)
	11442	1	O-ring (3/4 x 5/8 x 1/16; Viton)
	12400	1	O-ring (3/4 x 5/8 x 1/16; EPR)
6	12392	1	PTFE Backup Washer (3/4 x 5/8 x 1/16)
7	12347	1	Compression Spring (1/4 O.D. X 1-1/2 Lg.)
8	250238	1	Decal
9	214946	1	O-ring Plug (Includes o-ring [Item #11])
10	11127	1	Plastic Plug (3/8 NPTF)
11	12745	1	O-ring (1-5/32 X .924 X .116; Nitrile)
	18875	1	O-ring (1-5/32 X .924 X .116; Viton)
	17724	1	O-ring (1-5/32 X .924 X .116; EPR)

Item No.	Part No.	No. Req'd	Description
12	215301	1	Pressure Decal
13	15130	1	Plug (1/16 NPTF)
14	10268	2	O-ring (1/2 x 3/8 x 1/16; Nitrile)
	11439	2	O-ring (1/2 x 3/8 x 1/16; Viton)
	17716	2	O-ring (1/2 x 3/8 x 1/16; EPR)
15	10479	1	Hex. Plug (Female Drive, 1/4 NPTF)
16	64090	1	Valve Body
17	11863	1	PTFE Backup Washer (1/2 x 3/8 x 1/16)
18	200609	1	Drain Tube
19	351909	1	Poppet
20	12745	1	O-ring (1-5/32 x 59/64 x 7/64; Nitrile)
	18875	1	O-ring (1-5/32 x 59/64 x 7/64; Viton)
	17724	1	O-ring (1-5/32 x 59/64 x 7/64; EPR)
21	350164	1	O-ring Boss Plug

### PARTS INCLUDED BUT NOT SHOWN

10854	4	Soc. Hd. Cap Screw (1/4-20 UNC x 1-3/4 Lg.; Note: When using this valve on a PE30 Series pump order (4) 12001 Screws for mounting valve to pump.)
-------	---	---

## STANDARD PILOT OIL LINE/ ACCUMULATOR ASSEMBLY (FOR USE WITH Y26, Y60, Y70, PE55, PE90 & PE120 SERIES PUMPS)



Item No.	Part No.	No. Req'd	Description
1	22746	1	Oil Line
2	11173	1	Connector
3	202121	1	Spring Retainer (Torque to 50/70 in. lbs.)
4	16499	1	Compression Spring
5	21945	1	Plunger
6	21944	1	Cylinder Body
7	11421	1	Pipe Nipple
8	11278	1	Connector
	22747	1	Pipe Oil Line/Accumulator Ass'y (Consists of items 1 thru 8)
	21943	1	Accumulator Ass'y (Consists of items 3, 4, 5, & 6)

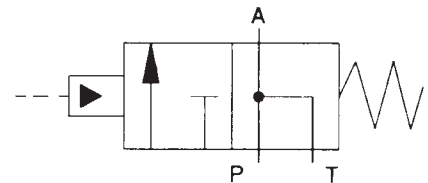
Note: Shaded areas reflect last revision(s) made to this form.

### SPECIFICATIONS

#### OPERATION

This is a sub-plate mounted, pilot operated, 3-way automatic valve. When the power unit is started, pilot oil automatically closes the valve and oil is directed to a single-acting cylinder. When the power unit is stopped, the valve automatically opens and oil returns from the cylinder to reservoir. A pressure switch and/or gauge can be attached if required.

PORT SIZES: 3/8" NPTF  
 MAXIMUM PRESSURE: 10,000 PSI  
 MAX. RECOMMENDED FLOW: 5 GPM



HYDRAULIC SCHEMATIC

