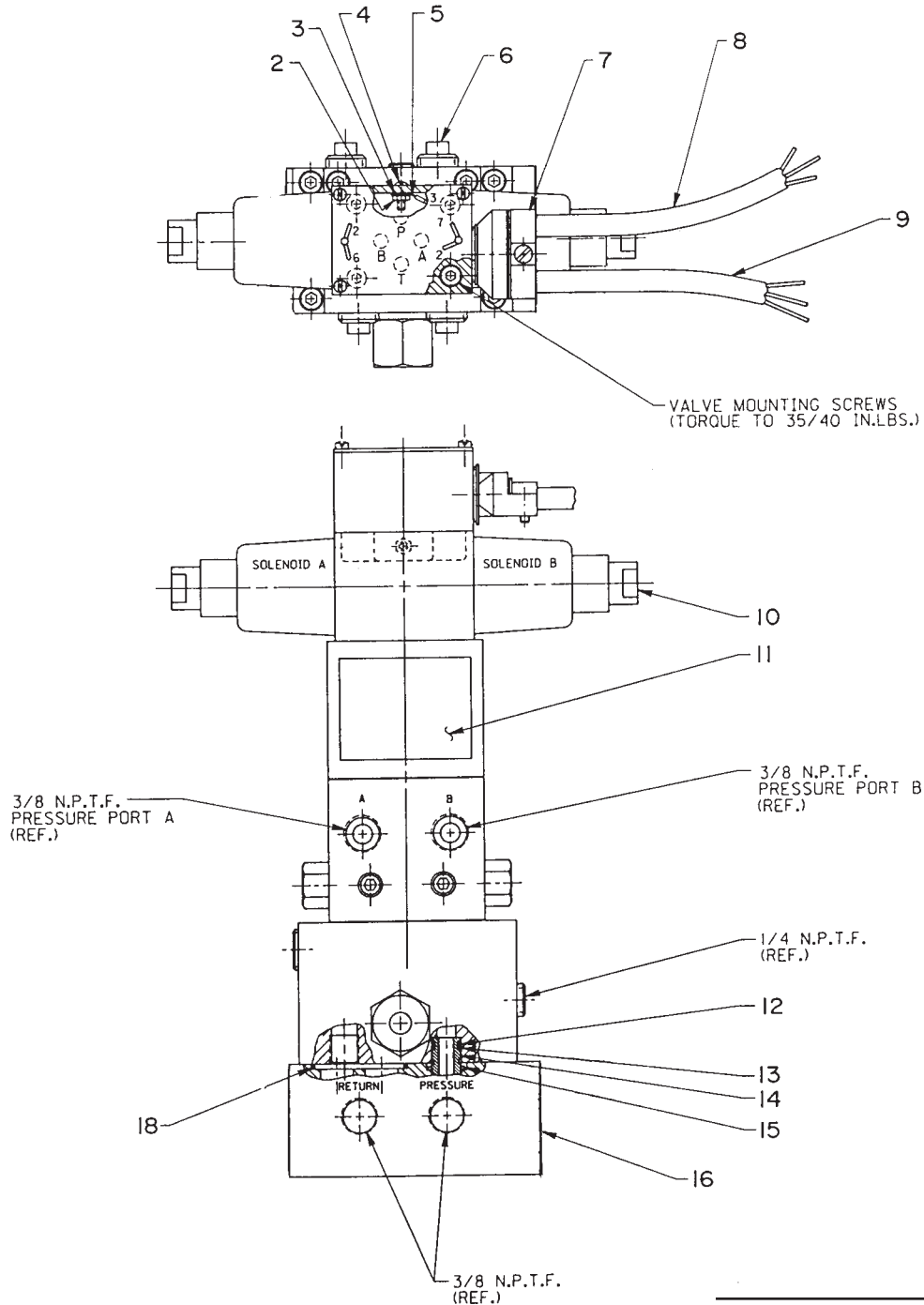


SOLENOID CONTROLLED, PILOT OPERATED, 3 POSITION, 4-WAY VALVE ASSEMBLY



Parts List, Form No. 100691, Back sheet 1 of 3

Item No.	Part No.	No. Req'd	Description
2	10195	1	Nut (#6-32)
3	15906	1	Lockwasher (#6)
4	10448	1	Screw (#6 x 3/8 Lg.)
5	12311	1	Ring Tongue Terminal
6	11127	4	Pipe Plug (3/8 NPTF)
7	17866	1	Connector
8	24733	1	Power Cord
9	202778	1	Remote Control Hand Switch
10	16664-1	1	Solenoid Valve
11	214235	1	Identification Decal

Item No.	Part No.	No. Req'd	Description
12	*10268	2	O-ring (1/2 x 3/8 x 1/16, -012)
13	*11863	2	Backup Washer (1/2 x 3/8 x 1/16, -012)
14	21094	1	Bushing
15	251124	1	Retaining Ring
16	52506	1	Subplate
18	*10914	1	O-ring (1-3/8 x 1-1/16 x 3/32, -123)

PARTS INCLUDED BUT NOT SHOWN
 *208358 1 Warning Decal

Part numbers marked with an asterisk (*) are contained in Repair Kit No. 300495.

OPERATION

Neutral (Hold): When both solenoids are de-energized, oil from pump circulates at free flow from the pressure port "P" to tank "T". Both cylinder ports are blocked.

Solenoid "A" Energized: Pressure to cylinder port "A". Cylinder port "B" to tank.

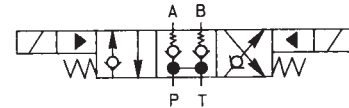
Solenoid "B" Energized: Pressure to cylinder port "B". Cylinder port "A" to tank.

NOTE: Pressure holds without loss when shifted from cylinder port to the neutral (Hold) position.

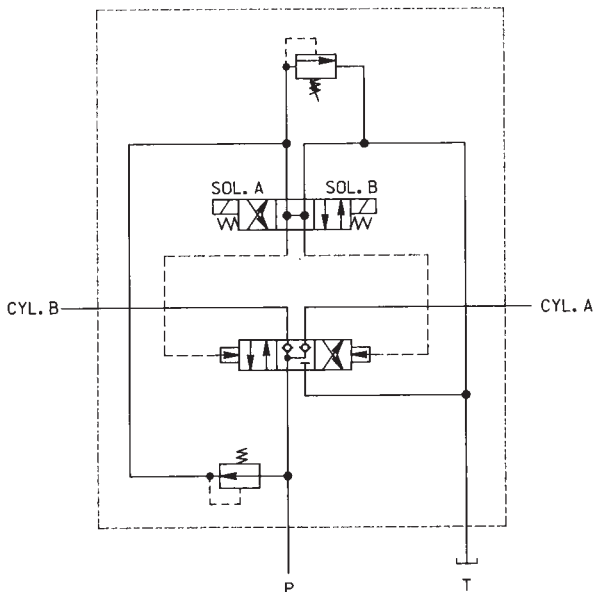
For pump, connect lines to pressure and return ports on remote mounted valve. Connect double-acting cylinder to valve. With remote control, operate cylinder to assure proper function of valve.

PORT SIZES: 3/8" NPTF
 MAXIMUM PRESSURE: 10,000 PSI
 MAX. RECOMMENDED FLOW: 5 GPM

SIMPLIFIED SYMBOL

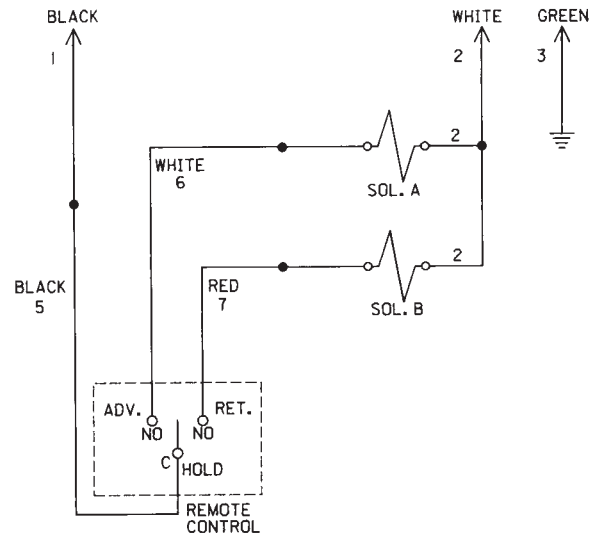


HYDRAULIC SCHEMATIC



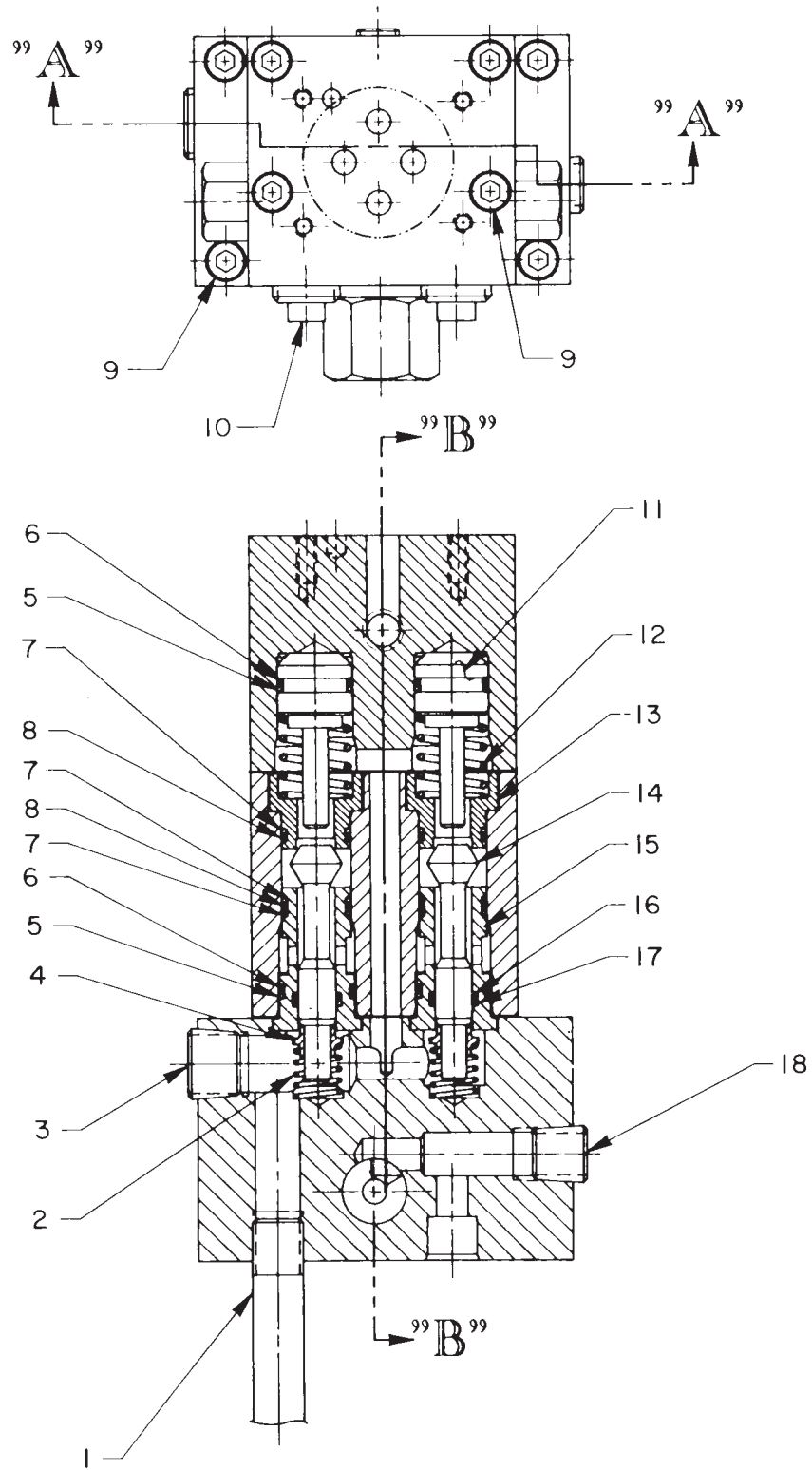
ELECTRICAL SCHEMATIC

116 Volt, 80 Hz.



Note: Shaded areas reflect last revision(s) made to this form.
 Also, removed item no. 1 and moved item 17 to
 "PARTS INCLUDED BUT NOT SHOWN".

TOP VIEW AND SECTION A-A



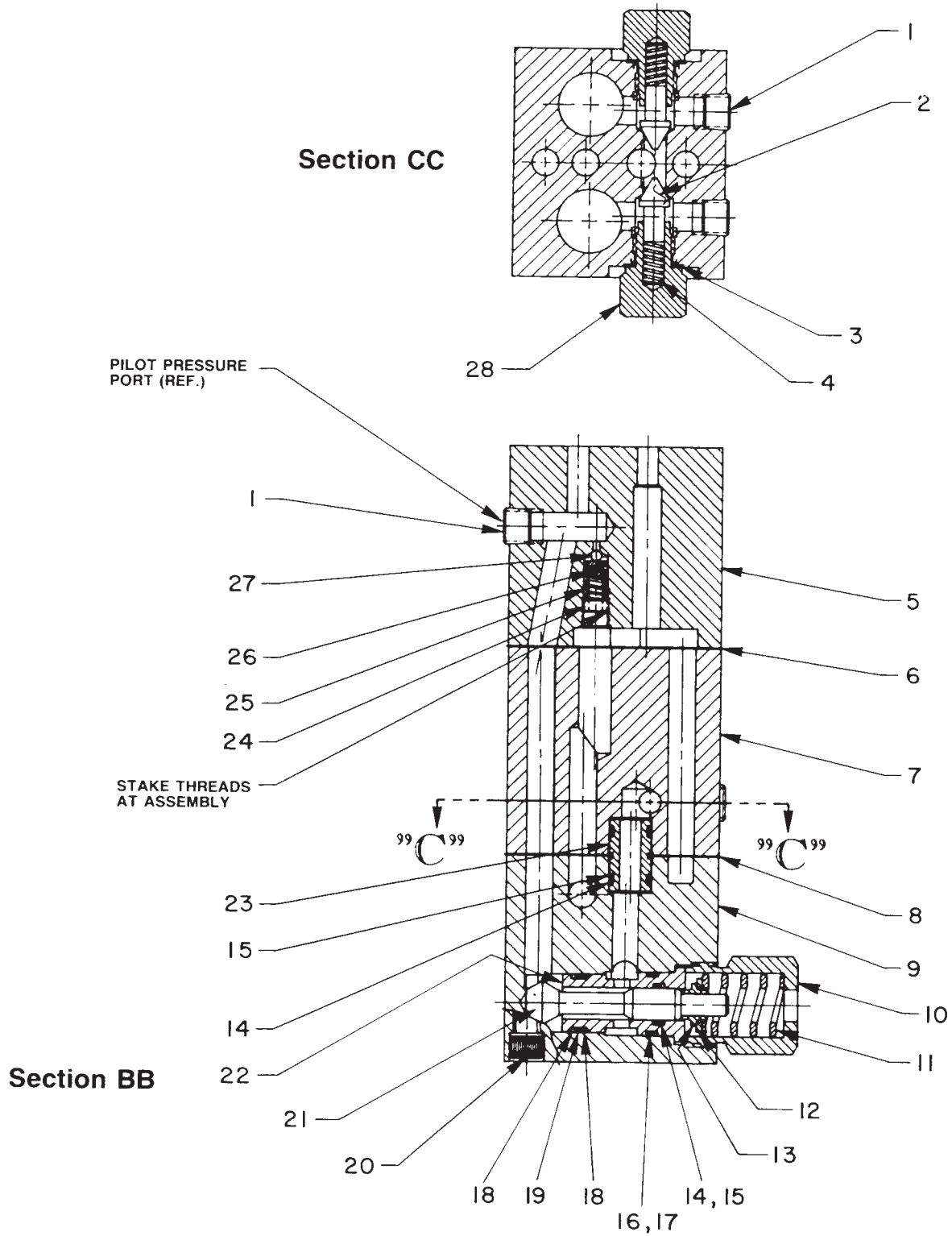
Section AA

Parts List, Form No. 100691, Back sheet 2 of 3

Item No.	Part No.	No. Req'd	Description
1	200609	1	Drain Tube
2	11195	2	Compression Spring (1/2 O.D. x 3/4 Lg.)
3	10909	1	Plug (3/8 NPTF)
4	202479	2	Check Valve Spring Guide
5	*12392	4	Backup Washer (3/4 x 5/8 x 3/64, -016)
6	*10302	4	O-ring (3/4 x 3/8 x 1/16, -016)
7	*12391	6	Backup Washer (11/16 x 9/16 x 3/64, -015)
8	*11284	4	O-ring (11/16 x 9/16 x 1/16, -015)
9	10856	8	Cap Screw (1/4-20 x 2-1/2 Lg.; Torque to 150/170 in. lbs.)
10	11127	2	Plug (3/8 NPTF)
11	307090	2	Pilot Piston
12	213880	2	Compression Spring (11/16 O.D. x 1" Lg.)
13	307089	2	Valve Seat
14	200542	2	Poppet
15	22068	2	Bushing
16	*10268	2	O-ring (1/2 x 3/8 x 1/16, -012)
17	*11863	2	Backup Washer (1/2 x 3/8 x 3/64, -012)
18	10479	1	Pipe Plug (1/4 NPTF)

Part numbers marked with an asterisk (*) are contained in Repair Kit No. 300495.

SECTIONS B-B AND C-C



Parts List, Form No. 100691, Back sheet 3 of 3

Item No.	Part No.	No. Req'd	Description
1	10427	3	Pipe Plug (1/8 NPTF)
2	213096	2	Poppet
3	*14874	2	Copper Washer (11/16 x 1/2 x 1/32)
4	15691	2	Compression Spring (1/4 O.D. x 5/8 Lg.)
5	61530	1	Valve Body (Top)
6	*307282	1	Gasket (Top/Center)
7	61529	1	Valve Body (Center)
8	*307579	1	Gasket (Center/Lower)
9	61528	1	Valve Body (Lower)
10	202494	1	Spring Retainer (Torque to 100/125 ft. lbs.)
11	14979	1	Compression Spring (3/4 O.D. x 1" Lg.)
12	16668	1	Washer (5/8 x 3/8 x 1/16)
13	202479	1	Check Valve Spring Guide
14	*10268	3	O-ring (1/2 x 3/8 x 1/16, -012)
15	*11863	3	Backup Washer (1/2 x 3/8 x 3/64, -012)
16	*10302	1	O-ring (3/4 x 5/8 x 1/16, -016)
17	*12392	1	Backup Washer (3/4 x 5/8 x 3/64, -016)
18	*12391	2	Backup Washer (11/16 x 9/16 x 3/64, -015)
19	*11284	1	O-ring (11/16 x 9/16 x 1/16, -015)
20	10856	4	Cap Screw (1/4-20 x 2-1/2 Lg.; Torque to 150/170 in. lbs.)
21	200542	1	Poppet
22	22068	1	Bushing
23	21094	1	Bushing
24	16704	1	Soc. Hd. Jam Screw (5/16-24 UNF x 5/32 Lg.)
25	16665	1	Compression Spring (5/32 I.D. x 1/2 Lg.)
26	202499	1	Spring Guide
27	10418	1	Steel Ball (1/8 dia.)
28	307136	2	Valve Screw (Torque to 35/40 ft. lbs.)

Part numbers marked with an asterisk (*) are contained in Repair Kit No. 300495.

Refer to any operating instructions included with this product for detailed information about operation, testing, disassembly, reassembly, and preventive maintenance.

Items found in this parts list have been carefully tested and selected. **Therefore: Use only genuine replacement parts!**

Additional questions can be directed to our Technical Services Department.