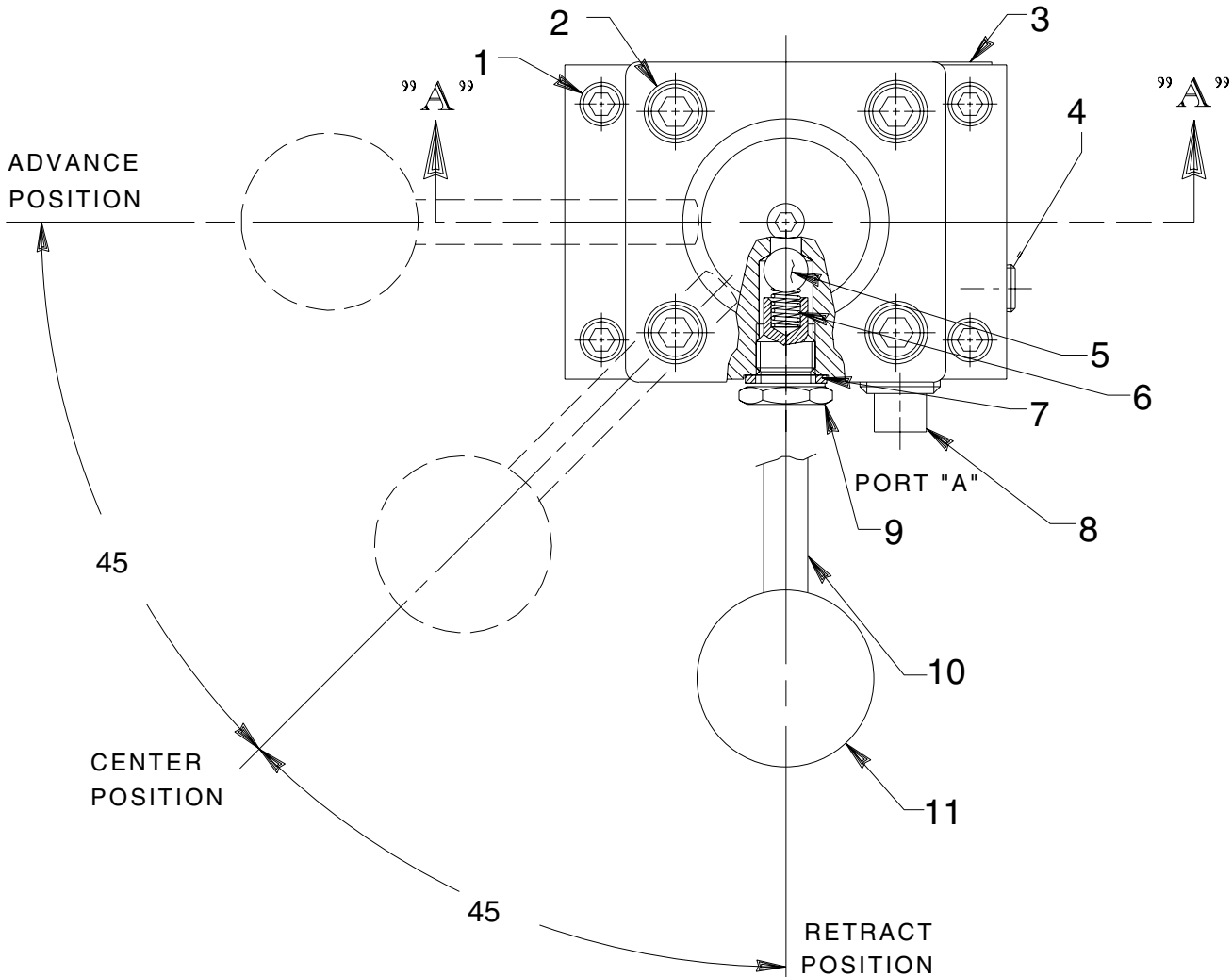


MANUAL VALVE



Item No.	Part No.	No. Req'd	Description
1	10854	4	Cap Screw (1/4-20 UNC X 1-3/4 Lg.) Note: When using this valve on a PE30 Series pump order (4) 12001 Screws for mounting valve to pump.
2	11013	4	Cap Screw (5/16-18 X 1" Lg.; Torque to 300/320 in. lbs.)
3	209383	1	Decal
4	15130	1	Pipe Plug (1/16 NPTF)
5	10378	1	Ball (3/8" dia.)

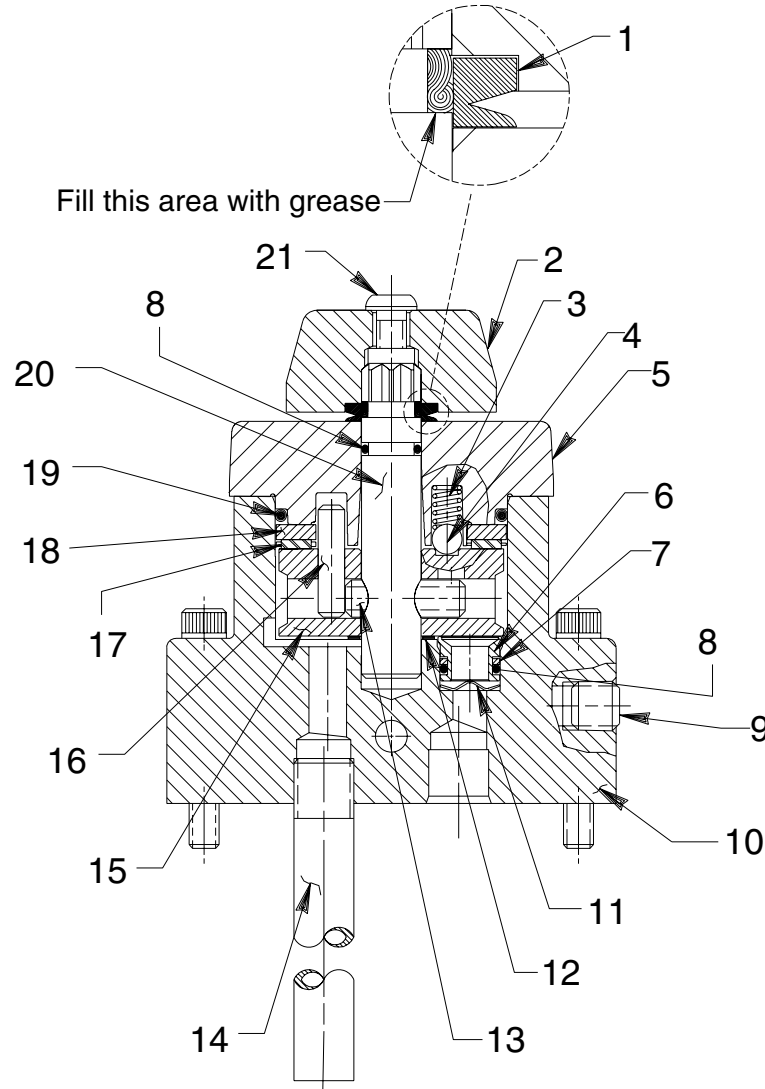
Item No.	Part No.	No. Req'd	Description
6	10444	1	Compression Spring (3/16" I.D. X 13/32" Lg.)
7	*14874	1	Copper Washer (.700 X 1/2 X 1/32 thk.)
8	11127	1	Plug (3/8 NPTF)
9	305975	1	Valve Screw (Torque to 30/35 ft. lbs.)
10	21639	1	Stud
11	211911	1	Plastic Knob

Part numbers marked with an asterisk (*) are contained in Repair Kit No. 300451.

Sheet No. 1 of 2

Issue Date: Rev. 2-5-96

SECTION A-A



Item No.	Part No.	No. Req'd	Description
1	213674	1	Shaft Seal (After 6-1-91)
2	46057	1	Stem End
3	15691	1	Compression Spring (1/4 O.D. X 5/8 Lg.)
4	10375	1	Ball
5	61343	1	End Cap
6	202480	3	Shear Seal
7	*11863	3	Backup Washer (1/2 X 3/8 X 1/16, -012)
8	*10268	4	O-ring (1/2 X 3/8 X 1/16, -012; Nitrile)
	11439	4	O-ring (1/2 X 3/8 X 1/16, -012; Viton)
	17716	4	O-ring (1/2 X 3/8 X 1/16, -012; EPR)
9	14972	1	Pipe Plug (1/4 NPTF)
10	61289	1	Valve Body
11	21975	3	Spring Washer
12	214801	1	Spacer

Item No.	Part No.	No. Req'd	Description
13	16940	1	Roll Pin
	10496	1	Roll Pin (After 6-1-91)
14	200609	1	Drain Tube
15	46061	1	Rotor
16	211915	1	Pin
	250056	1	Pin (After 6-1-91)
17	11228	1	Roller Thrust Bearing
18	11227-1	1	Thrust Bearing Washer
19	*15892	1	O-ring (1.956 X 1.720 X .118, -924; Nitrile)
	19097	1	O-ring (1.956 X 1.720 X .118, -924; Viton)
	212887	1	O-ring (1.956 X 1.720 X .118, -924; EPR)
20	46048	1	Stem
21	15911	1	Cap Screw (1/4-20 X 5/8 Lg.; Torque to 60/80 in. lbs.)

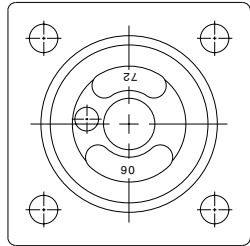
Part numbers marked with an asterisk (*) are contained in Repair Kit No. 300451.

Note: Alternate material seals listed for special valves factory equipped with viton or EPR seals.

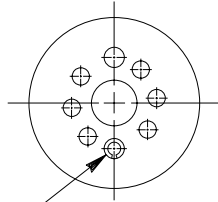
Note: Shaded areas reflect last revision(s) made to this form.

SPECIFICATIONS

PUMP MOUNTED MANUAL DETENTED 3-Position, 3-Way Closed Center Valve

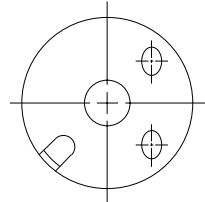


END CAP
BOTTOM VIEW

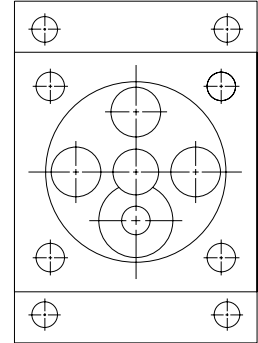


ROTOR
TOP VIEW

ROLL PIN LOCATION
(POSITION OPENING AS SHOWN)



ROTOR
BOTTOM VIEW



VALVE BODY
TOP VIEW

FUNCTION

Center Position:

All ports blocked

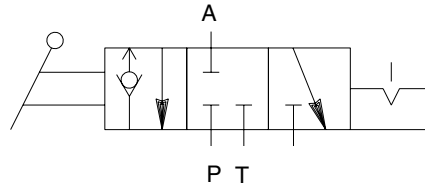
Advance Position:

Pressure to "A" Port
reverse flow blocked

Retract Position:

"A" Port to tank
"Pressure Port" blocked

Note: Non-inner flow during transition between valve positions.



HYDRAULIC SCHEMATIC

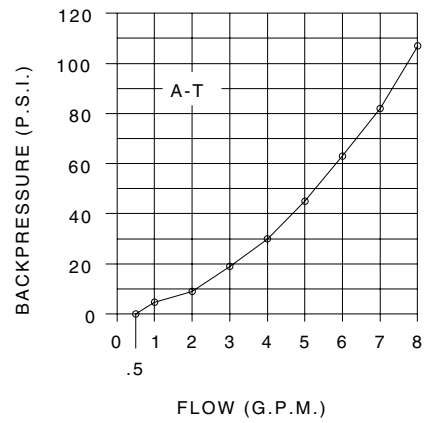
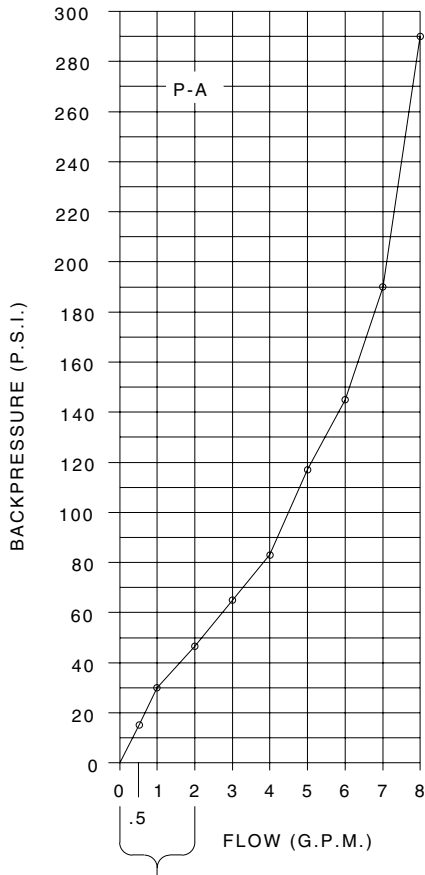
RATED PRESSURE: 10,000 PSI
CASE PRESSURE: 500 PSI MAX.
RATED FLOW: 5 GPM

Refer to any operating instructions included with this product for detailed information about operation, testing, disassembly, reassembly, and preventive maintenance.

Items found in this parts list have been carefully tested and selected. **Therefore: Use only genuine Power Team replacement parts!**

Additional questions can be directed to our Technical Services Department.

PRESSURE DROP AND FLOW CHARTS



RESULTS CHARTED BETWEEN
0 AND 2 G.P.M.
ARE ESTIMATES ONLY.