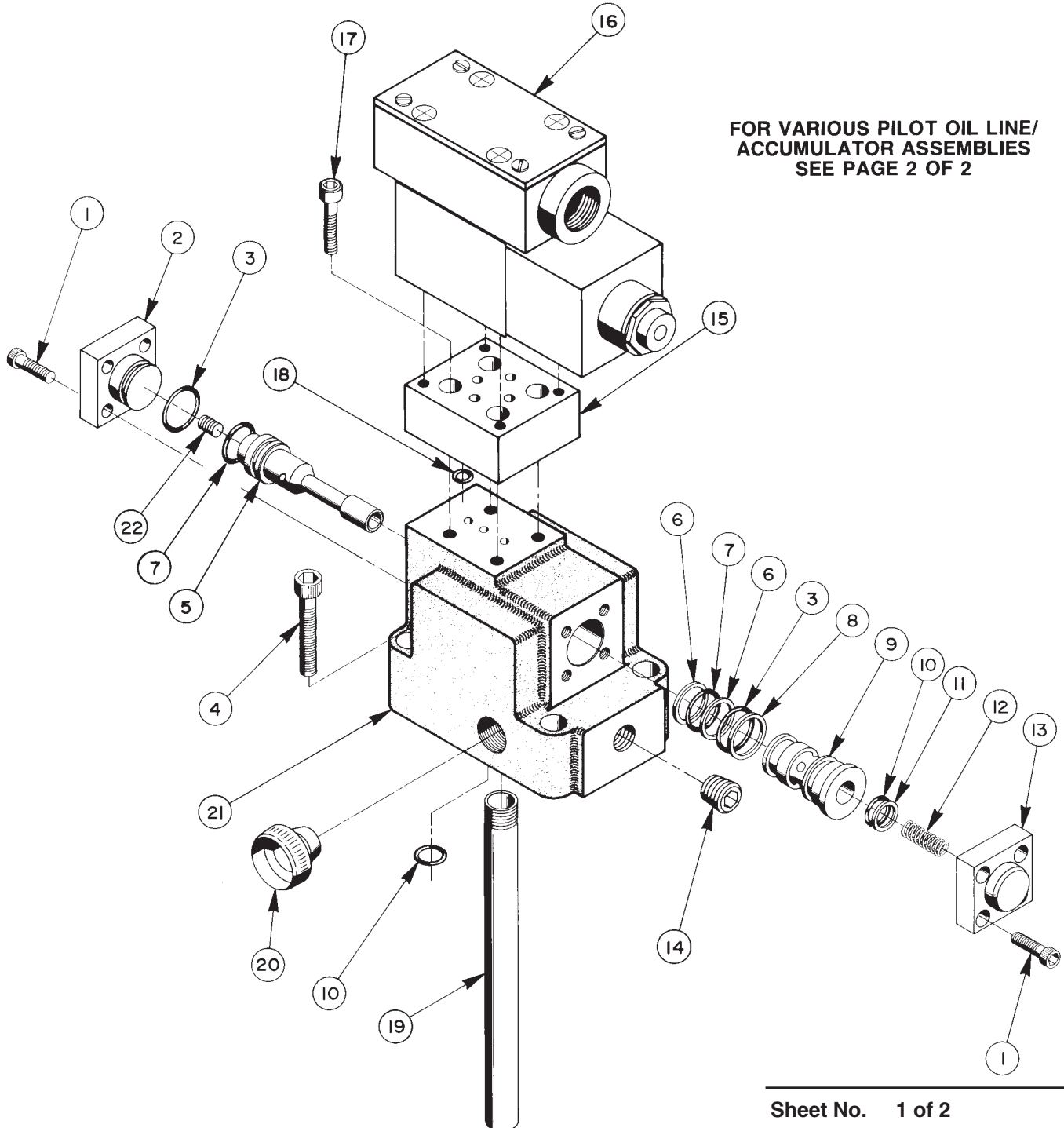


Parts List for:

9589
31068
Y-31068

**2-POSITION, 3-WAY – SOLENOID CONTROLLED – PILOT OPERATED
DIRECTIONAL VALVE ASSEMBLY**

Maximum Capacity: 10,000 PSI



FOR VARIOUS PILOT OIL LINE/
ACCUMULATOR ASSEMBLIES
SEE PAGE 2 OF 2

Parts List, Form No. 100418, Back sheet 1 of 2

Item No.	Part No.	No. Req'd	Description	Item No.	Part No.	No. Req'd	Description
1	11434	8	Cap Screw (#10-24 UNC X 1/2 Lg.)	14	10479	1	Pipe Plug (1/4 NPTF)
2	*22265	1	End Plate	15	42934	1	Port Plate
3	*10302	2	O-ring (3/4 X 5/8 X 1/16)	16	17890-1	1	Solenoid (110/115 Volt AC 50/60 Hz)
4	*10020	4	Cap Screw (1/4-20 UNC X 1-1/4 Lg.)		17890-2	1	Solenoid (220/230 Volt AC 50/60 Hz)
5	308674	1	Balanced Poppet		17890-4	1	Solenoid (24 Volt AC 50/60 Hz)
6	*12391	2	Backup Washer (11/16 X 9/16 X .048)		17890-7	1	Solenoid (24 Volt DC)
7	*11284	2	O-ring (11/16 X 9/16 X 1/16)	17	12102	4	Cap Screw (#10-24 UNC X 3/4 Lg.)
8	*12392	1	Backup Washer (3/4 X 5/8 X 1/16)	18	*10265	4	O-ring (5/16 X 3/16 X 1/16)
9	22068	1	Bushing	19	200609	1	Drain Line
10	*10268	2	O-ring (1/2 X 3/8 X 1/16)	20	11036	1	Aluminum Cap
11	*11863	1	Backup Washer (1/2 X 3/8 X 1/16)	21	40331	1	Valve Body
12	*11454	1	Compression Spring (1/4 O.D. X 1" Lg.)	22	214989	1	Restrictor Screw
13	22264	1	End Cap	PARTS INCLUDED BUT NOT SHOWN			
				209096	1	Decal (For 9589)	

Part numbers marked with an asterisk (*) are contained in Repair Kit No. 300173.

SPECIFICATIONS

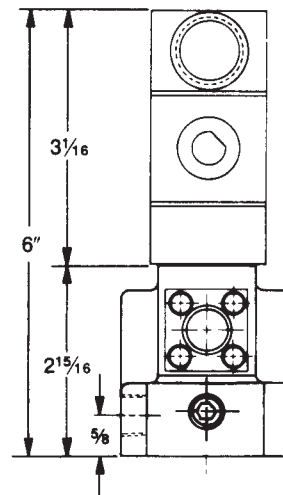
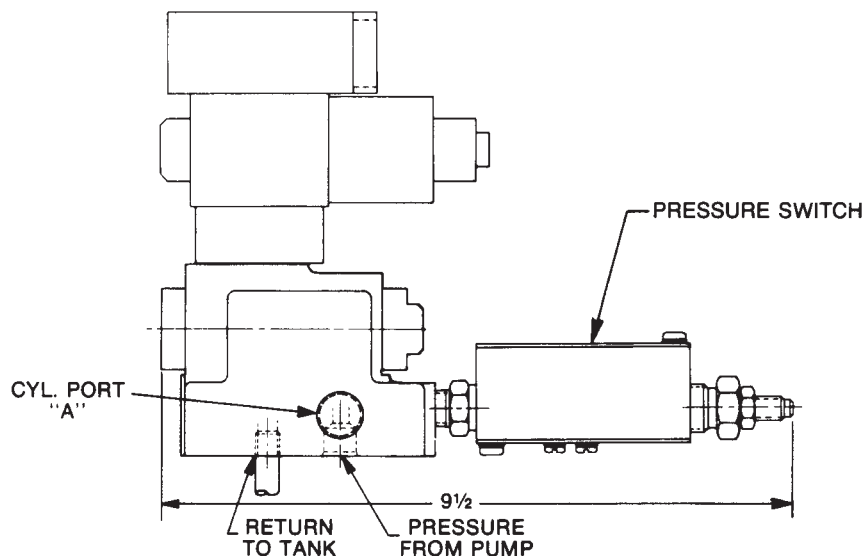
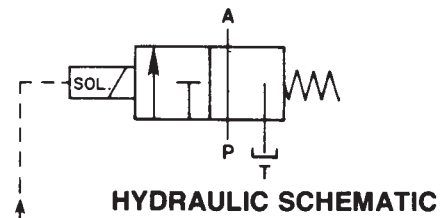
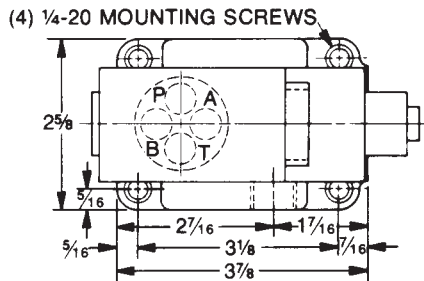
A pump-mounted, solenoid-controlled, pilot-operated, two-position, three-way valve for use on hydraulic power units. This valve is intended for use with single-acting cylinders and provides the possibility of remote actuation. A connection is provided on the valve body for a pressure switch and /or gauge.

PORT SIZES: 3/8" NPTF
 MAXIMUM PRESSURE: 10,000 PSI
 MAX. RECOMMENDED FLOW: 5 GPM

OPERATION

Solenoid Energized: Pilot oil closes valve. Pressure to cylinder port "A". Tank blocked.

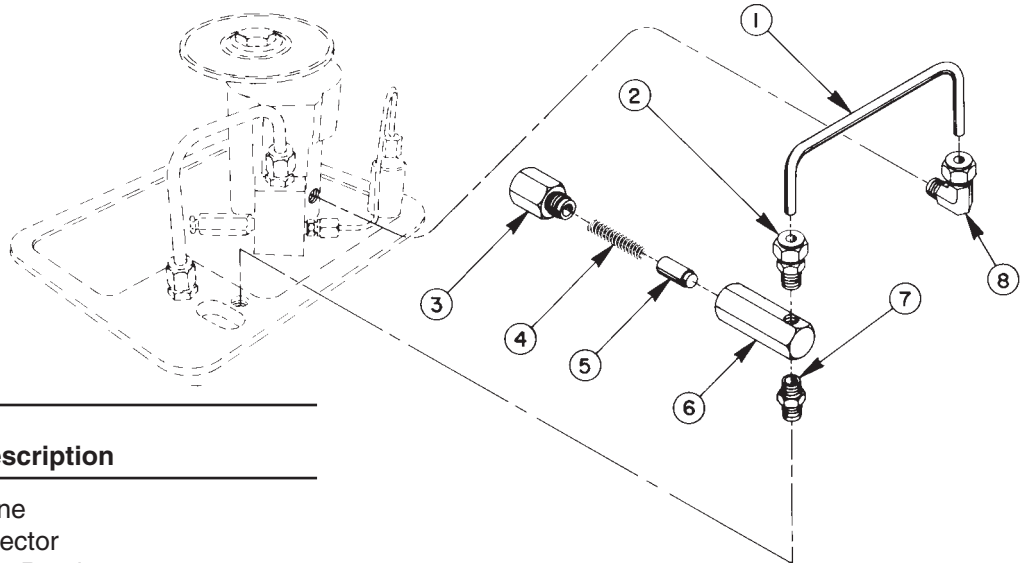
Solenoid De-Energized: Valve opens. Pressure to tank. Cylinder port "A" returns to tank.



PILOT OIL LINE/ ACCUMULATOR ASSEMBLIES

STANDARD

(FOR USE WITH Y26, Y60, Y70, PE55, PE90 & PE120 SERIES PUMPS)

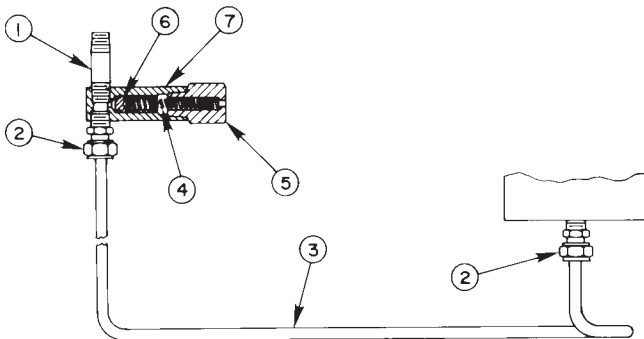


Item No.	Part No.	No. Req'd	Description
1	22746	1	Oil Line
2	11173	1	Connector
3	202121	1	Spring Retainer (Torque to 50/70 in. lbs.)
4	16499	1	Compression Spring
5	21945	1	Plunger
6	21944	1	Cylinder Body
7	11421	1	Pipe Nipple
8	11278	1	Connector
	22747	1	Pilot Oil Line/Accumulator Ass'y (Consists of items 1 thru 8)
	21943	1	Accumulator Ass'y (Consists of items 3, 4, 5 & 6)

NOTE: #22747 is the standard Pilot Oil Line/Accumulator Assembly that is supplied with these valves. For various Pilot Oil Line/Accumulator Assemblies to be used with other pump units, see the following illustrations.

OPTIONAL

(FOR USE WITH PE200 & PE400 SERIES PUMPS)



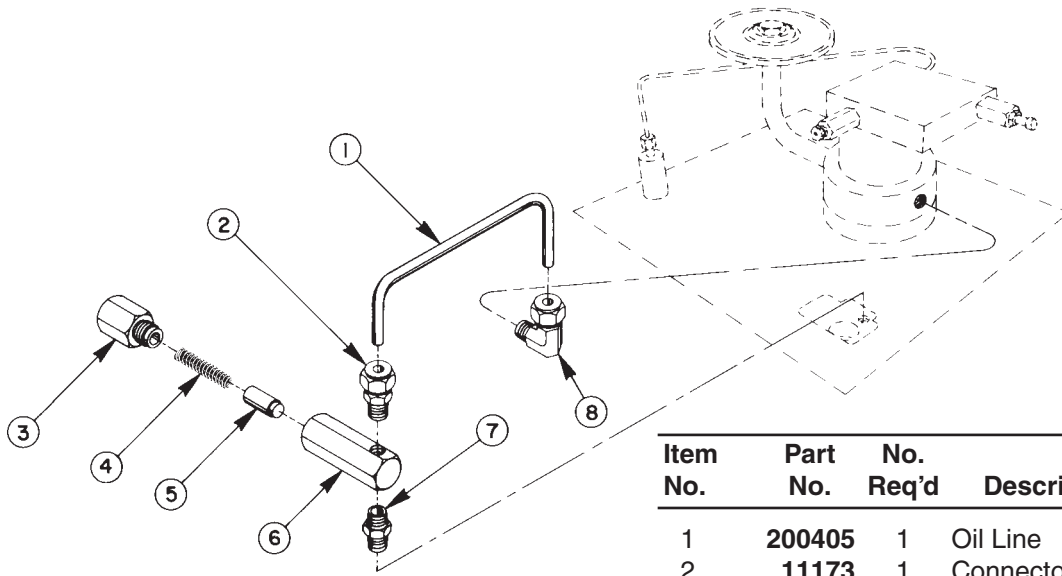
Item No.	Part No.	No. Req'd	Description
1	11530	1	Nipple
2	15061	2	Connector
3	44303	1	Oil Line
4	16499	1	Compression Spring
5	202121	1	Spring Retainer (Torque to 50/70 in. lbs.)
6	21945	1	Plunger
7	21944	1	Cylinder Body
	21943	1	Accumulator Assembly (Consists of items 4, 5, 6 & 7)

NOTE: The above parts are not included with this valve but are an option.

PILOT OIL LINE/ACCUMULATOR ASSEMBLIES CONT.

OPTIONAL

(FOR USE WITH PQ60 & PQ120 SERIES PUMPS)

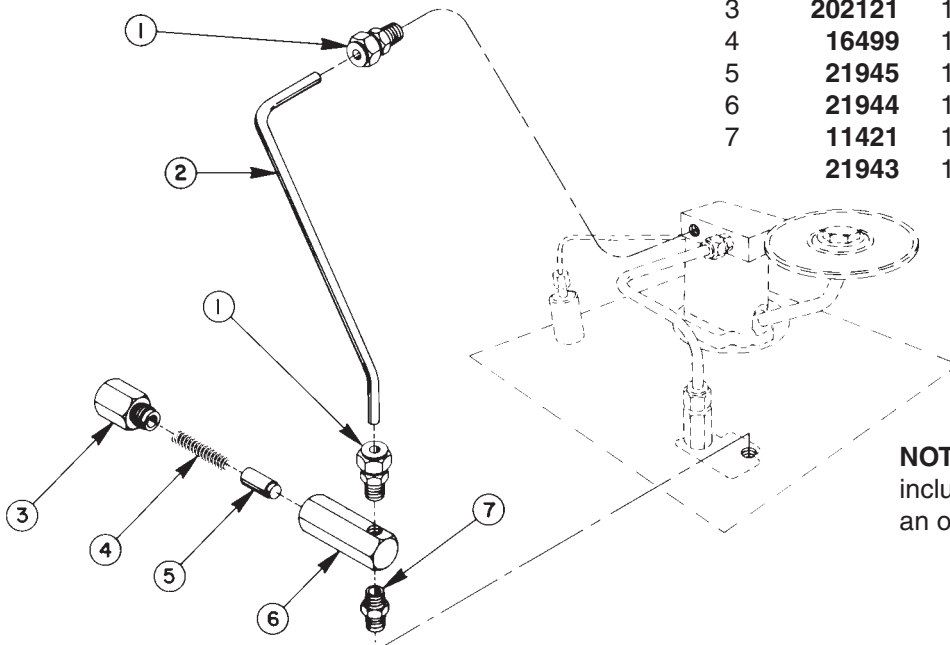


NOTE: These parts are not included with this valve but are an option.

Item No.	Part No.	No. Req'd	Description
1	200405	1	Oil Line
2	11173	1	Connector
3	202121	1	Spring Retainer (Torque to 50/70 in. lbs.)
4	16499	1	Compression Spring
5	21945	1	Plunger
6	21944	1	Cylinder Body
7	11421	1	Pipe Nipple
8	11278	1	Connector
	21943	1	Accumulator Ass'y (Consists of items 3, 4, 5 & 6)

OPTIONAL

(FOR USE WITH PQ20 SERIES PUMPS)



NOTE: The above parts are not included with this valve but are an option.

Item No.	Part No.	No. Req'd	Description
1	11173	2	Connector
2	36754	1	Oil Line
3	202121	1	Spring Retainer (Torque to 50/70 in. lbs.)
4	16499	1	Compression Spring
5	21945	1	Plunger
6	21944	1	Cylinder Body
7	11421	1	Pipe Nipple
	21943	1	Accumulator Ass'y. (Consists of items 3, 4, 5 & 6)